



BERETTA

**DEFENSE &
LAW ENFORCEMENT**

BDT

BERETTA DEFENSE TECHNOLOGIES



FABBRICA D'ARMI PIETRO BERETTA	4
BERETTA DEFENSE TECHNOLOGIES	6
1 PISTOLS	
APX	10
APX A1	16
PX4 STORM	20
92 FS	26
92 A1	27
M9	28
80X CHEETAH	32
2 SUBMACHINE GUNS	
PMX	38
PMX A1	42
3 ASSAULT RIFLES	
NARP	48
NARP PRAETORIAN	52
ARX160 A4	56
ARX200 A1	60
ARX200 A1 DMR	64
4 GRENADE LAUNCHERS	
GLX160	70
5 SHOTGUNS	
1301 TACTICAL	76
1301 C-UAS	80
6 SOUND SUPPRESSORS	
B-SILENT 9mm	86
B-SILENT 5,56 / 7,62 mm	87
7 CLOTHING & ACCESSORIES	
CLOTHING & ACCESSORIES	88



Fabbrica d'Armi Pietro Beretta

The oldest firearms manufacturer in the world. Founded in 1526 and based in Gardone Val Trompia, Italy. The company remains under the leadership of the Beretta family for 15 generations, making it one of the world's oldest family-owned and family-run businesses.

Beretta's firearms have been adopted as the standard weapon by many armed forces, elite units and law enforcement agencies worldwide. Combining traditional craftsmanship and investments in the latest technologies has led Beretta to become one of the top players in the Military and Law Enforcement market as well as the Hunting and Sporting sectors exporting weapons to over 100 countries.



Beretta Defense Technologies

Beretta Defense Technologies (BDT) is a single-source solution provider offering one of the most comprehensive portfolios in the Defense and Law Enforcement market.

By integrating weapon systems, firearms, ammunition, optics, electro-optics, apparel, and accessories, BDT enables customers to streamline procurement processes, reduce time and costs, and simplify system integration.

All solutions are custom-tailored to operational needs, ensuring optimal performance, interoperability, and mission effectiveness across modern combat and policing scenarios.



PISTOLS



APX



STEINER MPS RED DOT



9X19
RWS
SWISS P
MFS



.40 S&W
MFS

The **BERETTA APX** striker-fired semi-automatic pistol, which features a removable internal stainless-steel chassis, can be easily modified with replaceable frame modules of different sizes and colors. The APX's low-profile, snag-free design makes it easy to carry and draw, even when concealed. The magazine release button can be reversed to accommodate right or left-handed use, and the slide catch is present on both sides of the gun.

ECOSYSTEM

1 FRAME	WITH EXTERNAL SAFETY	FULL SIZE	COMPACT	CENTURION	2 BARREL	STANDARD	THREADED	
3 MAGAZINE	13RDS	15RDS	17RDS	COMPACT EXTENDED	EXTENDED	SMALL	MEDIUM	LARGE
4 BACKSTRAP								
5 RDO PLATE	C-MORE	TRIJICON	LEUPOLD	BURRIS	HOLOSUN	SHIELD	STEINER - AIMPOINT	
6 CHASSIS	FIRE CONTROL UNIT				STANDARD HEIGHT	SUPPRESSOR HEIGHT	WHITE DOTS ORANGE DOTS TRITIUM BLACK SERRATED	
7 SIGHT								
8 OVERSIZE COMPONENT	MAGAZINE RELEASE BUTTON	SLIDE CATCH						
9 SOUND SUPPRESSOR						PISTOL 9MM		

FORCE-ON-FORCE SIMUNITION AND UTM KIT AVAILABLE FOR THE FULL SIZE VERSION.



TECHNICAL SPECIFICATIONS

The APX FULL SIZE is NATO-qualified and comes in three configurations: The RDO features a red dot-ready slide; the Combat comes with a threaded barrel, available in M13.5x1mm or 1/2" -28 UNEF, and a red dot-ready slide; and the Tactical features a special Flat Dark Earth coating with Beretta AquaTech Shield technology.



FULL SIZE

FULL SIZE RDO

FULL SIZE COMBAT

FULL SIZE TACTICAL

	FULL SIZE	FULL SIZE RDO	FULL SIZE COMBAT	FULL SIZE TACTICAL
CALIBER	9x19 / .40 S&W	9x19 / .40 S&W	9x19 / .40 S&W	9x19 / .40 S&W
ACTION TYPE	Striker	Striker	Striker	Striker
FRAME TYPE	Polymer	Polymer	Polymer	Polymer
OVERALL LENGTH	192	192	208	192
HEIGHT	142	142	142	142
WIDTH	33	33	33	33
BARREL LENGTH	108	108	121	108
WEIGHT	800	820	820	800
SIGHT RADIUS	160	160	160	160
MAGAZINE	17	17	17	17
THREADED BARREL	No	No	Yes	No
RED DOT READY	No	Yes	Yes	No
PICATINNY RAIL	Yes, 3 slot	Yes, 3 slot	Yes, 3 slot	Yes, 3 slot
COLOR	Black / Flat Dark Earth	Black / Flat Dark Earth	Black / Flat Dark Earth	Flat Dark Earth

TECHNICAL SPECIFICATIONS

The Beretta APX CENTURION pistol sits between the APX Full Size and the APX Compact models, offering a high magazine capacity in a compact design. Also available in RDO-ready.



CENTURION

CENTURION RDO

CENTURION COMBAT

CENTURION TACTICAL

	CENTURION	CENTURION RDO	CENTURION COMBAT	CENTURION TACTICAL
CALIBER	9x19 / .40 S&W	9x19 / .40 S&W	9x19 / .40 S&W	9x19 / .40 S&W
ACTION TYPE	Striker	Striker	Striker	Striker
FRAME TYPE	Polymer	Polymer	Polymer	Polymer
OVERALL LENGTH	177	177	190	177
HEIGHT	132	132	132	132
WIDTH	33	33	33	33
BARREL LENGTH	94	94	107	94
WEIGHT	765	780	780	765
SIGHT RADIUS	145	145	145	145
MAGAZINE	15	15	15	15
THREADED BARREL	No	No	Yes	No
RED DOT READY	No	Yes	Yes	No
PICATINNY RAIL	Yes, 2 slot	Yes, 2 slot	Yes, 2 slot	Yes, 2 slot
COLOR	Black / Flat Dark Earth	Black / Flat Dark Earth	Black / Flat Dark Earth	Flat Dark Earth

APX

TECHNICAL SPECIFICATIONS

The APX COMPACT extends the size of the APX series for concealed carry. Despite its compact dimensions, it is easy to control and comfortable to shoot. It is also available in an RDO-ready version.



COMPACT

COMPACT RDO

COMPACT COMBAT

COMPACT TACTICAL

CALIBER	9x19 / .40 S&W	9x19 / .40 S&W	9x19 / .40 S&W	9x19 / .40 S&W
ACTION TYPE	Striker	Striker	Striker	Striker
FRAME TYPE	Polymer	Polymer	Polymer	Polymer
OVERALL LENGTH	177	177	190	177
HEIGHT	122	122	122	122
WIDTH	33	33	33	33
BARREL LENGTH	94	94	107	94
WEIGHT	750	750	765	750
SIGHT RADIUS	145	145	145	145
MAGAZINE	13	13	13	13
THREADED BARREL	No	No	Yes	No
RED DOT READY	No	Yes	Yes	No
PICATINNY RAIL	Yes, 2 slot	Yes, 2 slot	Yes, 2 slot	Yes, 2 slot
COLOR	Black / Flat Dark Earth	Black / Flat Dark Earth	Black / Flat Dark Earth	Flat Dark Earth



APX A1



STEINER MPS-C RED DOT



9X19
RWS
SWISS P
MFS

The **BERETTA APX A1** builds on the proven ergonomics and reliability of the APX family, incorporating new features developed on the APX platform, following extensive use by military and law enforcement personnel worldwide. The APX A1 has been designed to meet the highest standards of performance, safety and quality, ensuring it is suitable for any user in the field. The APX A1 features a red dot optic-ready slide with new aggressive serrations, an ergonomic grip with ambidextrous controls, and it maintains the modularity architecture of the APX family.

ECOSYSTEM

	FULL SIZE	COMPACT	EXTERNAL SAFETY		THREADED	STANDARD		
1 FRAME				2 BARREL				
	13RDS	15RDS	17RDS	EXTENDED	COMPACT EXTENDED	SMALL	MEDIUM	LARGE
3 MAGAZINE						4 BACKSTRAP		
	C-MORE	TRIJICON	LEUPOLD	BURRIS	HOLOSUN	SHIELD	STEINER - AIMPOINT	
5 RDO PLATE								
	6 CHASSIS		7 SIGHT		STANDARD HEIGHT	SUPPRESSOR HEIGHT		<div style="border: 1px solid black; padding: 5px;"> WHITE DOTS ORANGE DOTS TRITIUM BLACK SERRATED </div>
	MAGAZINE RELEASE BUTTON	SLIDE CATCH		9 SOUND SUPPRESSOR		PISTOL 9MM		
8 OVERSIZE COMPONENT								

APX A1

TECHNICAL SPECIFICATIONS

The **APX A1 FULL SIZE** further enhances the platform, delivering superior performance for demanding professional users. It features a crisp trigger with light pull weight, a clean break, and a short reset for fast and accurate follow-up shots. The slide is optic-ready, facilitating the installation of a wide variety of red dot systems.

The **APX A1 FULL SIZE TACTICAL** is an upgrade of the APX A1 FULL SIZE enhancing the platform with new features like improved controls and threaded barrel with a 1/2" x 28 UNEF thread for the installation of sound suppressors or compensator.



FULL SIZE

CALIBER	9x19
ACTION TYPE	Striker
FRAME TYPE	Polymer
OVERALL LENGTH	192
HEIGHT	142
WIDTH	33
BARREL LENGTH	108
WEIGHT	820
SIGHT RADIUS	160
MAGAZINE	17
THREADED BARREL	No
RED DOT READY	Yes
PICATINNY RAIL	Yes, 3 slot
COLOR	Black / Flat Dark Earth / Olive Drab Green / Wolf Gray



FULL SIZE TACTICAL

CALIBER	9x19
ACTION TYPE	Striker
FRAME TYPE	Polymer
OVERALL LENGTH	208
HEIGHT	148 / 158 / 168
WIDTH	33
BARREL LENGTH	125
WEIGHT	840
SIGHT RADIUS	160
MAGAZINE	17 / 19 / 21
THREADED BARREL	Yes
RED DOT READY	Yes
PICATINNY RAIL	Yes, 3 slot
COLOR	Black / Flat Dark Earth / Olive Drab Green / Wolf Gray



COMPACT

CALIBER	9x19
ACTION TYPE	Striker
FRAME TYPE	Polymer
OVERALL LENGTH	177
HEIGHT	132
WIDTH	33
BARREL LENGTH	94
WEIGHT	785
SIGHT RADIUS	145
MAGAZINE	15
THREADED BARREL	No
RED DOT READY	Yes
PICATINNY RAIL	Yes, 2 slot
COLOR	Black / Flat Dark Earth / Olive Drab Green / Wolf Gray



COMPACT TACTICAL

CALIBER	9x19
ACTION TYPE	Striker
FRAME TYPE	Polymer
OVERALL LENGTH	191
HEIGHT	137 / 147
WIDTH	33
BARREL LENGTH	107
WEIGHT	805
SIGHT RADIUS	145
MAGAZINE	15 / 17
THREADED BARREL	Yes
RED DOT READY	Yes
PICATINNY RAIL	Yes, 2 slot
COLOR	Black / Flat Dark Earth / Olive Drab Green / Wolf Gray



CARRY

CALIBER	9x19
ACTION TYPE	Striker
FRAME TYPE	Polymer
OVERALL LENGTH	143
HEIGHT	106
WIDTH	23
BARREL LENGTH	78
WEIGHT	562
SIGHT RADIUS	125
MAGAZINE	6 / 8
THREADED BARREL	No
RED DOT READY	Yes
PICATINNY RAIL	No
COLOR	Black

TECHNICAL SPECIFICATIONS

The **APX A1 COMPACT** extends the APX A1 series into a more compact format. Despite its reduced dimensions, it remains easy to control and comfortable to shoot.

The **APX A1 COMPACT TACTICAL** is an upgrade of the APX A1 Compact improving the platform with new features like improved controls and threaded barrel with a 1/2" x 28 UNEF thread for installing sound suppressors or compensators.

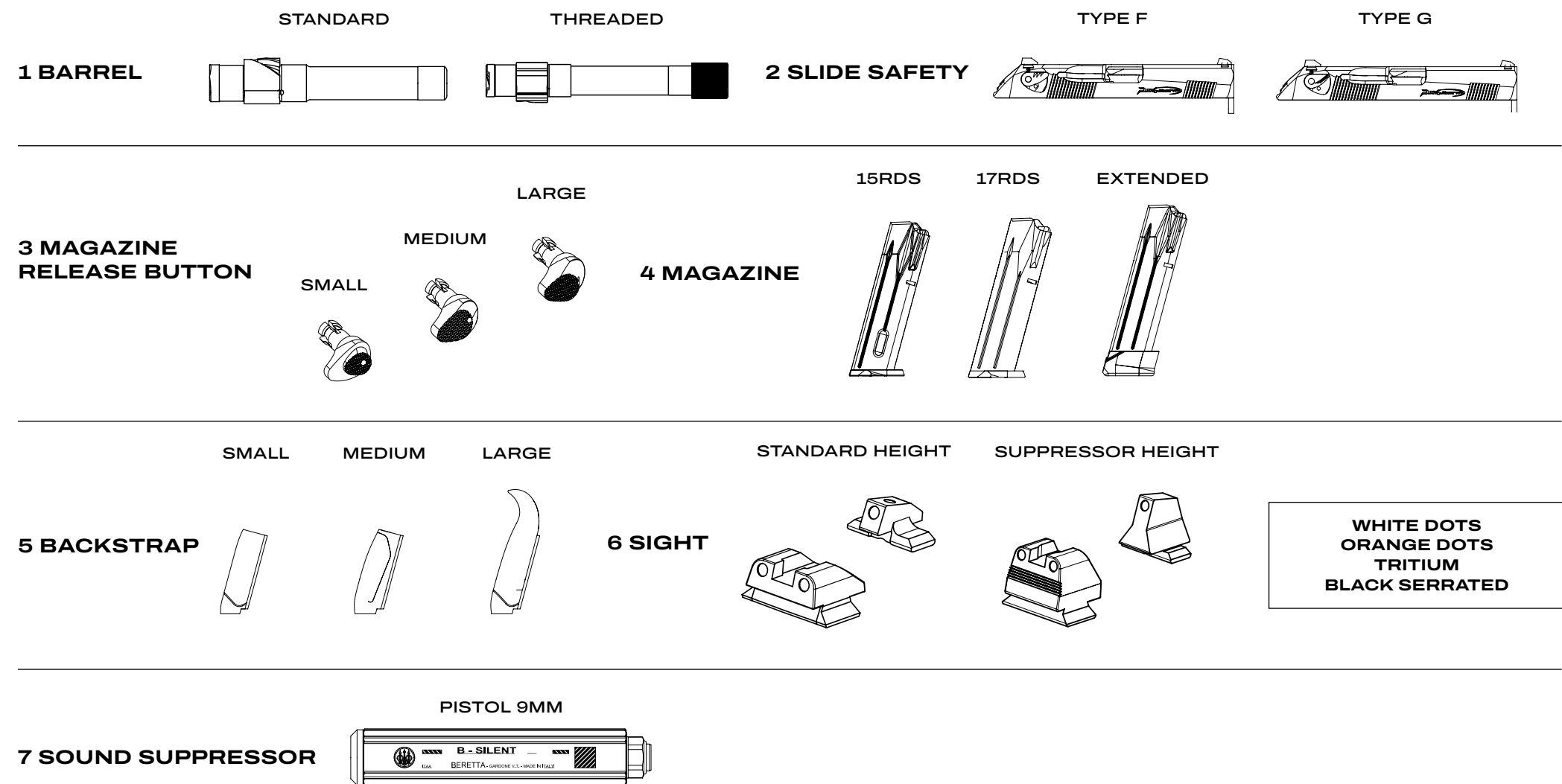
The **APX A1 CARRY** is the most suitable model in the APX family for concealed carry and as a backup pistol. It features a single-stack magazine with a capacity of 6 or 8 rounds, and its overall width is under 1 inch. Like the rest of the APX A1 series, the slide comes red dot ready. Made in USA.

PX4 Storm



The **BERETTA PX4 STORM** is a hammer-fired, semi-automatic pistol developed for military, law enforcement, and professional use. Designed leveraging Beretta's extensive operational experience, it combines durability, reliability, and ergonomic efficiency in a compact and well-balanced platform. Engineered to deliver consistent performance under demanding conditions, the PX4 Storm features a lightweight design and a low recoil system that enhances controllability and shooting comfort. Its high safety standards and ease of handling make it suitable for a wide range of applications, including duty use, personal defense, and concealed carry. Available in multiple calibers, the PX4 Storm ensures long-term operational reliability, maintaining consistent performance even after prolonged and intensive use.

ECOSYSTEM



FORCE-ON-FORCE SIMUNITION AND UTM KIT AVAILABLE FOR THE FULL SIZE VERSION.

PX4 Storm

TECHNICAL SPECIFICATIONS

The **PX4 STORM FULL SIZE** is available in three calibers and features a locked breech with a rotating barrel system. The versatility of the PX4 allows it to meet any law enforcement operator's needs, with the following options available: Type F (single/double-action with external slide safety); Type G (single/double-action with external safety lever with decocking only function); Type D (double action only without external safety lever); and Type C (constant action without external safety levers).



FULL SIZE

CALIBER	9x19 / .40 S&W / .45 ACP
ACTION TYPE	SA/DA
FRAME TYPE	Polymer
OVERALL LENGTH	193
HEIGHT	139
WIDTH	38
BARREL LENGTH	102
WEIGHT	785
SIGHT RADIUS	147
MAGAZINE	17
THREADED BARREL	No
RED DOT READY	No
PICATINNY RAIL	Yes, 1 slot
COLOR	Black

TECHNICAL SPECIFICATIONS

The **PX4 STORM COMPACT** pistol extends the PX4 series with a model specifically designed for concealed carry, featuring a shorter slide and grip in proportion to its size. The Compact Model and the Full Size feature an interchangeable backstrap system and an ambidextrous slide stop lever can be added upon request.



COMPACT

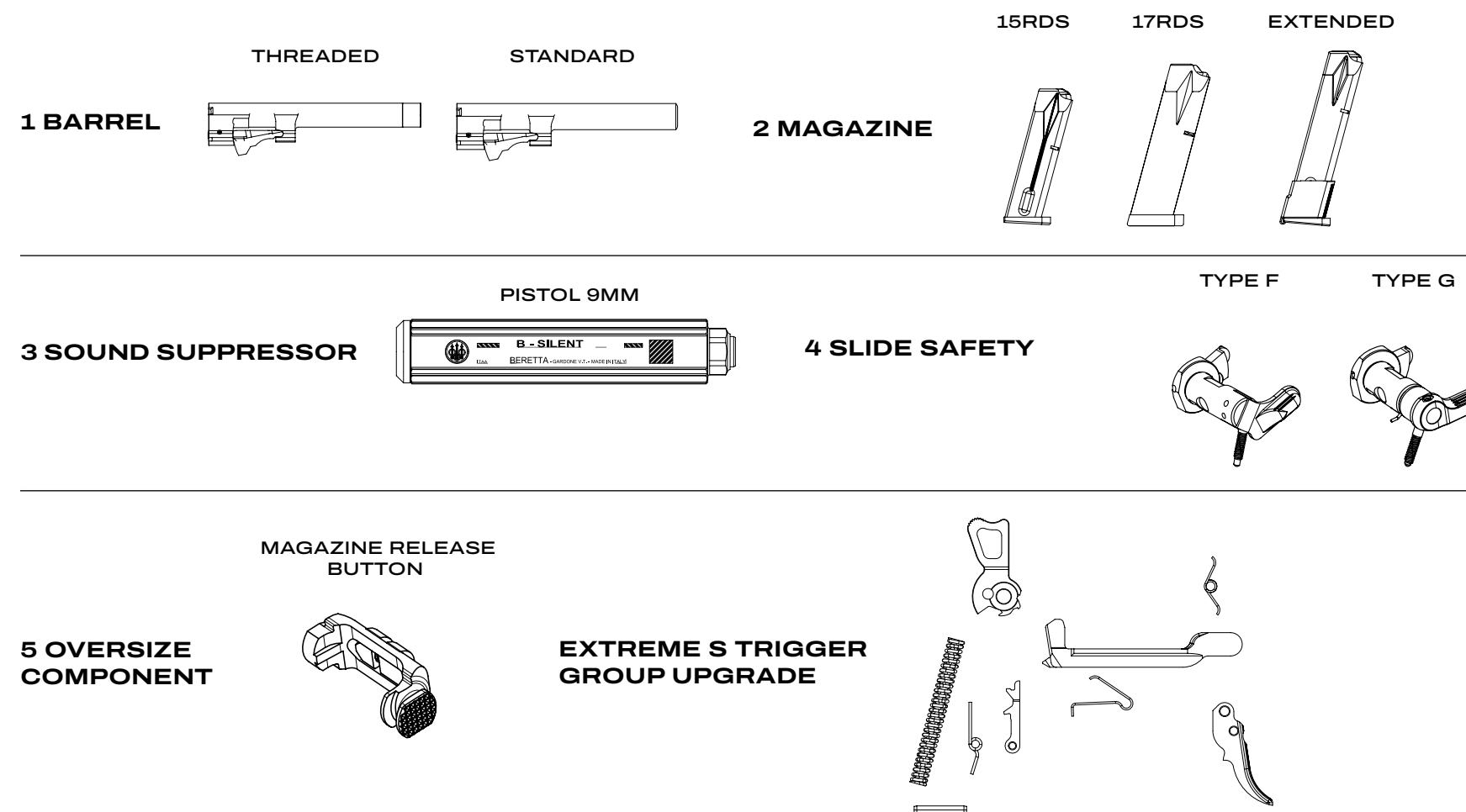
CALIBER	9x19 / .40 S&W
ACTION TYPE	SA/DA
FRAME TYPE	Polymer
OVERALL LENGTH	173
HEIGHT	129
WIDTH	36
BARREL LENGTH	86
WEIGHT	770
SIGHT RADIUS	131
MAGAZINE	15
THREADED BARREL	No
RED DOT READY	No
PICATINNY RAIL	Yes, 1 slot
COLOR	Black

90



The **BERETTA 90** series is a range of semi-automatic pistols designed primarily for military and police use. Its reputation for reliability, safety and resilience in operational environments has been well-established and consistently upheld over many years. The tilting-block locking system and short-recoil barrel operation are engineered to ensure a high level of shooting accuracy and reliable performance. The single/double-action, the automatic firing-pin safety and the manual safety with decocking function enable the operator to carry out all duties comfortably and efficiently, while maintaining maximum safety.

ECOSYSTEM



FORCE-ON-FORCE SIMUNITION AND UTM KIT AVAILABLE FOR THE 92FS MODEL.

90

TECHNICAL SPECIFICATIONS

The **92FS** features a durable, non-reflective Bruniton black finish that provides excellent corrosion resistance. It uses a short-recoil, delayed-blowback system that enhances control in both single and double-action firing.



92 FS

CALIBER	9x19 / .40 S&W
ACTION TYPE	SA/DA
FRAME TYPE	Aluminum
OVERALL LENGTH	217
HEIGHT	142
WIDTH	38
BARREL LENGTH	125
WEIGHT	945
SIGHT RADIUS	155
MAGAZINE	15
THREADED BARREL	No
RED DOT READY	No
PICATINNY RAIL	No
COLOR	Black

TECHNICAL SPECIFICATIONS

The **92 A1** features an innovative internal frame buffer that significantly reduces stress on components when firing, providing a smoother and more durable shooting experience. It features a chrome-lined barrel with a deeply recessed combat muzzle crown, as well as a Bruniton non-reflective black finish that is resistant to corrosion and wear. The pistol is designed with a removable front sight, a MIL-STD accessory rail, and a captive recoil-spring assembly for enhanced reliability.



92 A1

CALIBER	9x19 / .40 S&W
ACTION TYPE	SA/DA
FRAME TYPE	Aluminum
OVERALL LENGTH	217
HEIGHT	142
WIDTH	38
BARREL LENGTH	125
WEIGHT	945
SIGHT RADIUS	155
MAGAZINE	17
THREADED BARREL	Available
RED DOT READY	No
PICATINNY RAIL	Yes, 2 slot
COLOR	Black

M9



The **BERETTA M9** is the most reliable semiauto handgun for self-defense and concealed carry. Engineered to meet stringent military standards, the M9 delivers outstanding reliability and its robust design, combined with high-quality materials and Beretta's centuries-long manufacturing expertise, ensures consistent performance and exceptional service life. Equipped with an ambidextrous safety-decocker, reversible magazine release, corrosion-resistant Bruniton finish, and tool-free field stripping, the M9 is designed for ease of use, rapid maintenance, and maximum operational efficiency.

ECOSYSTEM

1 BARREL	THREADED	STANDARD	2 MAGAZINE	15RDS	17RDS	EXTENDED	
3 RDO PLATE	C-MORE	TRIJICON	LEUPOLD	BURRIS	HOLOSUN	SHIELD	STEINER - AIMPOINT
4 SOUND SUPPRESSOR	PISTOL 9MM			5 SLIDE SAFETY			
				TYPE F TYPE G			
6 OVERSIZE COMPONENT	MAGAZINE RELEASE BUTTON	EXTREME S TRIGGER GROUP UPGRADE					

M9

TECHNICAL SPECIFICATIONS

The **M9 A3** is a single/double-action pistol with an external slide-mounted safety and is available in both F and G types (safety and decocking, and decocking only). The M9 A3 was designed to update the Beretta M9 series, which has served as the standard-issue sidearm for the military for the last few decades.

The **M9 A4 FULL SIZE** pistol features the proven design of the M9 series alongside new, modern features. These include a red dot-ready slide, a beveled magazine well and 92X-style thin grips with an aggressive texture for instinctive control and a more natural fit for a wide range of shooters. Made in USA.

The **M9 A4 CENTURION** features all the capabilities of the Beretta M9 A4, but in a more compact size. The M9 A4 features front and rear slide serrations for improved manipulation in all conditions, a threaded barrel for sound suppressor compatibility, and an aggressively textured frame to ensure a secure grip. Made in USA.



M9 A3

CALIBER	9x19
ACTION TYPE	SA/DA
FRAME TYPE	Aluminum
OVERALL LENGTH	222
HEIGHT	143
WIDTH	38
BARREL LENGTH	130
WEIGHT	945
SIGHT RADIUS	160
MAGAZINE	10 / 15 / 17
THREADED BARREL	Yes
RED DOT READY	No
PICATINNY RAIL	Yes, 3 slot
COLOR	Black / Flat Dark Earth

M9 A4 FULL SIZE

CALIBER	9x19
ACTION TYPE	SA/DA
FRAME TYPE	Aluminum
OVERALL LENGTH	222
HEIGHT	143
WIDTH	38
BARREL LENGTH	130
WEIGHT	945
SIGHT RADIUS	160
MAGAZINE	10 / 15 / 18
THREADED BARREL	Yes
RED DOT READY	Yes
PICATINNY RAIL	Yes, 3 slot
COLOR	Flat Dark Earth

M9 A4 CENTURION

CALIBER	9x19
ACTION TYPE	SA/DA
FRAME TYPE	Aluminum
OVERALL LENGTH	210
HEIGHT	143
WIDTH	38
BARREL LENGTH	120
WEIGHT	900
SIGHT RADIUS	160
MAGAZINE	10 / 15 / 18
THREADED BARREL	Yes
RED DOT READY	Yes
PICATINNY RAIL	Yes, 3 slot
COLOR	Flat Dark Earth



80X



BURRIS FASTFIRE C RED DOT

ECOSYSTEM

	THREADED	STANDARD	SHIELD	HOLOSUN	NOBLEX
1 BARREL					
	MAGAZINE RELEASE BUTTON	SLIDE CATCH	10RDS	13RDS	15RDS
3 OVERSIZE COMPONENT					
4 SOUND SUPPRESSOR	PISTOL 9MM		STANDARD HEIGHT		
			6 SIGHT		

The **BERETTA 80** series comprises a range of semi-automatic pistols designed primarily for concealed carry. Available in 380 and 32 ACP calibers, they employ a blowback recoil system to reduce overall dimensions and improve handling and control. The single/double-action, automatic firing pin safety and frame-mounted safety with decocking function ensure that the pistol can always be carried safely. The red dot-ready slide and picatinny rail allow customization with the most popular tactical accessories.

80X

TECHNICAL SPECIFICATIONS

With its **80X CHEETAH**, Beretta offers the perfect balance of reliability, concealability, performance and safety. The 80X is designed for experienced professionals operating in challenging and rapidly changing environments.



80X CHEETAH

CALIBER	.380 ACP	.32 ACP
ACTION TYPE	SA/DA	SA/DA
FRAME TYPE	Aluminum	Aluminum
OVERALL LENGTH	175	175
HEIGHT	123	123
WIDTH	35	35
BARREL LENGTH	99	99
WEIGHT	680	680
SIGHT RADIUS	132	132
MAGAZINE	13	12
THREADED BARREL	No	No
RED DOT READY	Yes	Yes
PICATINNY RAIL	Yes, 2 slot	Yes, 2 slot
COLOR	Black	Black

TECHNICAL SPECIFICATIONS

The **80X CHEETAH TACTICAL** is an upgrade of the 80X CHEETAH improving the platform with new features like improved controls and threaded barrel with a 1/2" x 28 UNEF thread for the installation of muzzle devices.

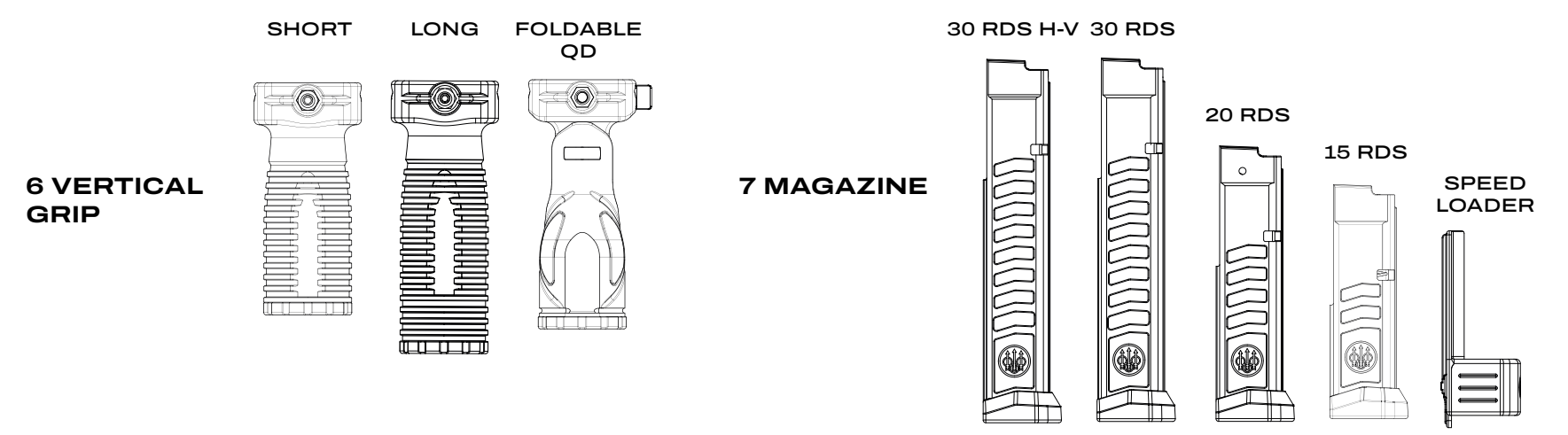
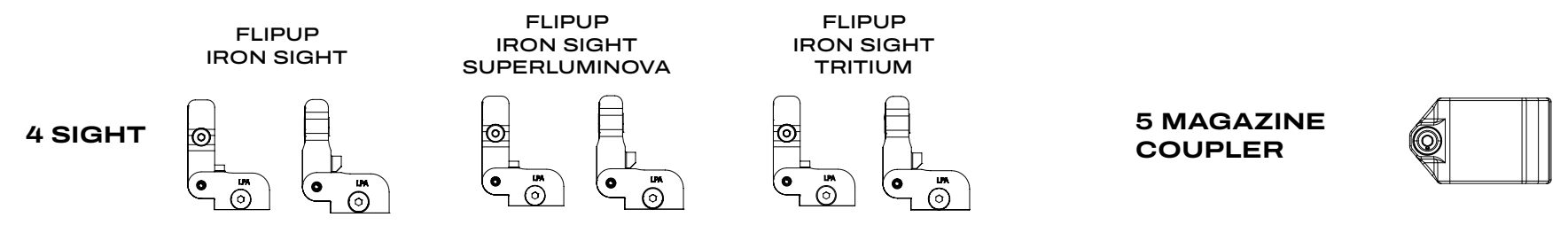
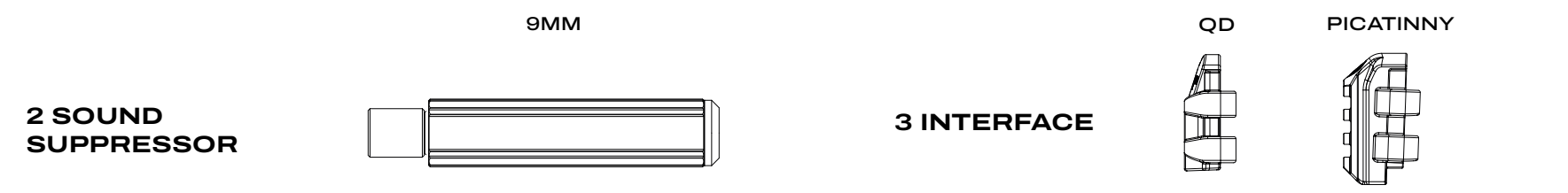


80X CHEETAH TACTICAL

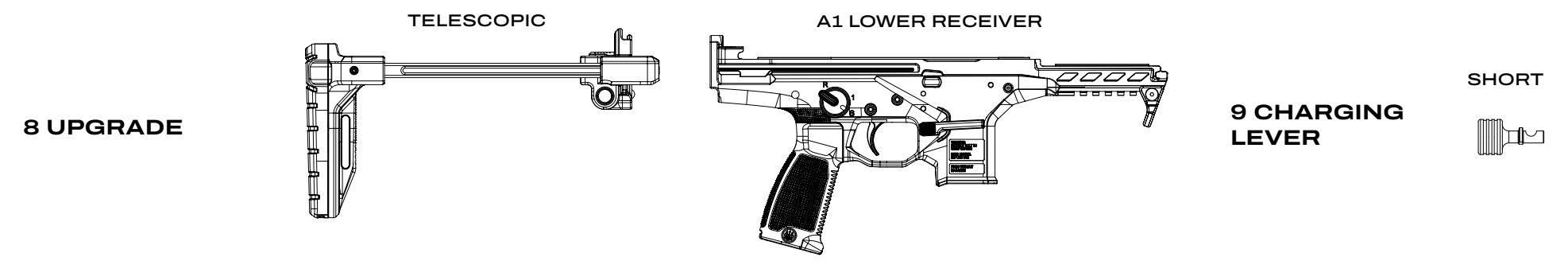
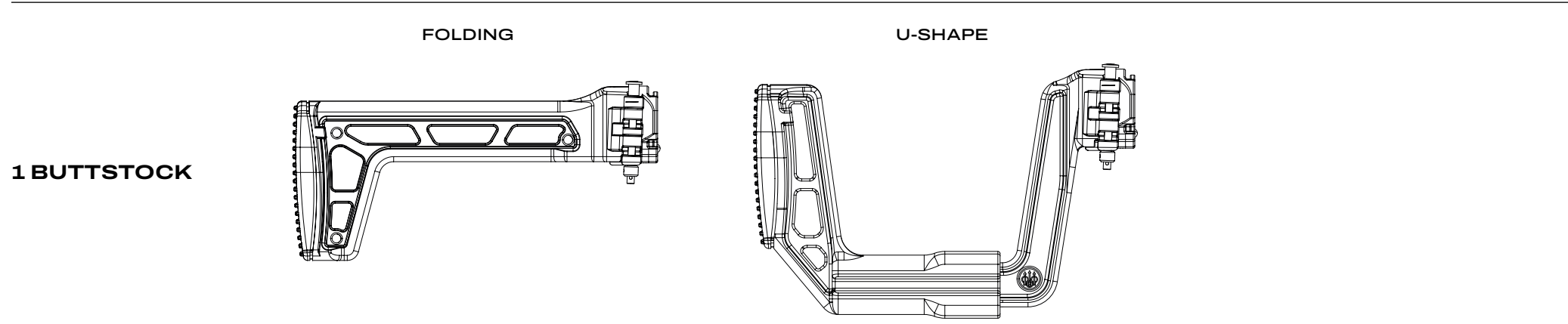
CALIBER	.380 ACP	.32 ACP
ACTION TYPE	SA/DA	SA/DA
FRAME TYPE	Aluminum	Aluminum
OVERALL LENGTH	190	190
HEIGHT	133	123
WIDTH	35	35
BARREL LENGTH	113	113
WEIGHT	700	700
SIGHT RADIUS	132	132
MAGAZINE	15	12
THREADED BARREL	Yes	Yes
RED DOT READY	Yes	Yes
PICATINNY RAIL	Yes, 2 slot	Yes, 2 slot
COLOR	Black / Flat Dark Earth	Black

SUBMACHINE GUNS





ECOSYSTEM



FORCE-ON-FORCE SIMUNITION AND UTM KIT AVAILABLE.



TECHNICAL SPECIFICATIONS

The **PMX** submachine gun was developed to meet the precise requirements of law-enforcement and military personnel worldwide. Its use of polymer materials and lightweight alloys enables a compact yet robust design suitable for modern operational environments and close-quarter engagements.



CALIBER	9x19
LOCKING SYSTEM	Blowback
BARREL LENGTH	6,8" (Tri-Lug System)
FIRING MODE	Semiauto / Full Auto / Safe
LENGTH / EXTENDED STOCK	640mm
LENGTH / FOLDED STOCK	418mm
HEIGHT WITH MAGAZINE & FOLDED SIGHT	270mm
WEIGHT WITH EMPTY MAGAZINE	2,5kg
MAGAZINE CAPACITY	15 / 20 / 30
MAGAZINE MATERIAL	Polymer
COLOR	Black



**9x19
RWS
SWISS P
MFS**





STEINER MPS RED DOT

STEINER E-OPTICS CQBL LASER

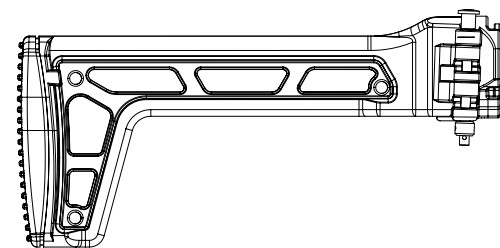
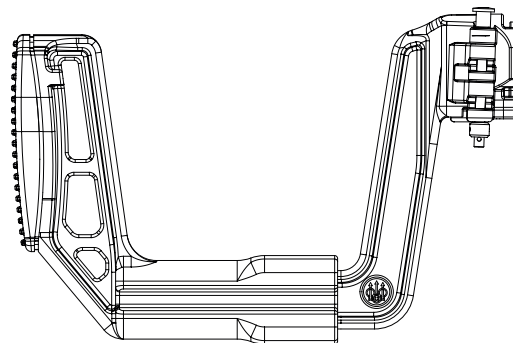
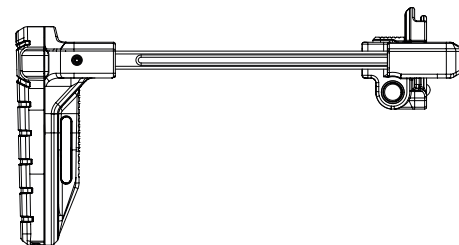
ECOSYSTEM

1 BUTTSTOCK

TELESCOPIC

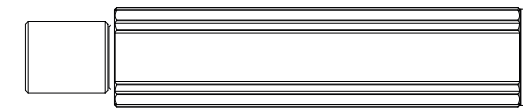
U-SHAPE

FOLDING



2 SOUND SUPPRESSOR

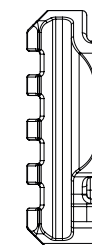
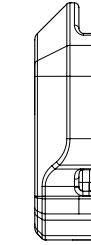
9MM



3 INTERFACE

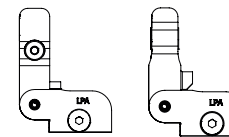
QD

PICATINNY

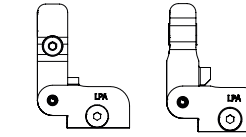


4 SIGHT

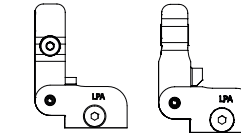
FLIPUP IRON SIGHT



FLIPUP IRON SIGHT SUPERLUMINOVA

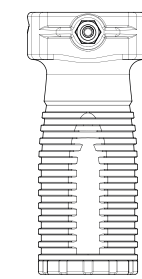


FLIPUP IRON SIGHT TRITIUM

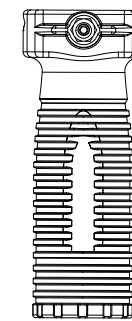


5 VERTICAL GRIP

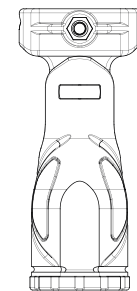
SHORT



LONG

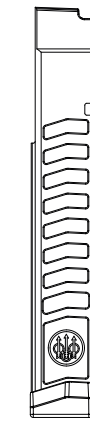
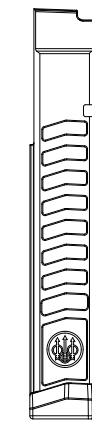


FOLDABLE QD

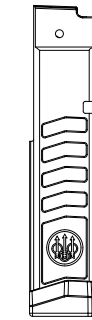


6 MAGAZINE

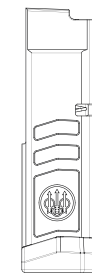
30 RDS H-V 30 RDS



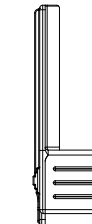
20 RDS



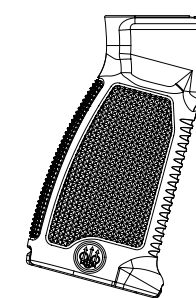
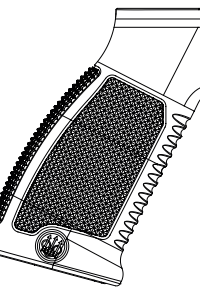
15 RDS



SPEED LOADER



7 PISTOL GRIP

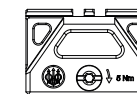


AR 15 STYLE 30°

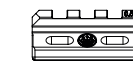
AR 15 STYLE 15°

ACCESSORIES

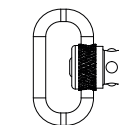
PICATINNY RISER ACRO INTERFACE 1"



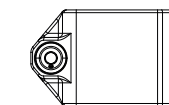
PICATINNY RISER 0,5"



QD SLING SWIVELS



MAGAZINE COUPLER



FINGER STOP



PMX A1

TECHNICAL SPECIFICATIONS

The PMX A1 features enhanced controls compared to previous versions, along with a telescopic stock that improves concealability and operational flexibility. It also incorporates a modular grip insert compatible with NARP and various third-party stock systems. Internally, the PMX A1 has been upgraded with a new recoil system and a redesigned bolt to further enhance reliability and functional performance.



CALIBER	9x19
LOCKING SYSTEM	Blowback
BARREL LENGTH	6,8" (Tri-Lug System)
FIRING MODE	Semiauto / Full Auto / Safe / 3 Round Burst
LENGTH / COLLAPSED STOCK	470mm
LENGTH / EXTENDED STOCK	610mm
HEIGHT WITH MAGAZINE & FOLDED SIGHT	270mm
WEIGHT WITH EMPTY MAGAZINE	2,6kg
MAGAZINE CAPACITY	20 / 30
MAGAZINE MATERIAL	Polymer
COLOR	Black



9x19
RWS
SWISS P
MFS



ASSAULT RIFLES



NARP

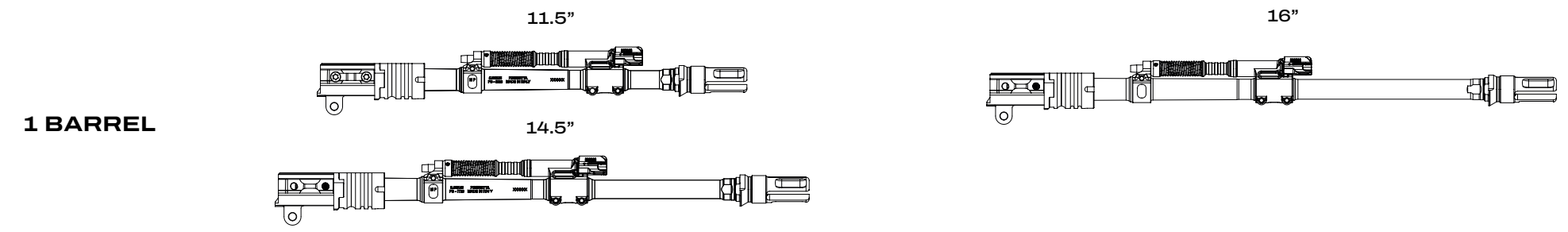


STEINER MPS RED DOT

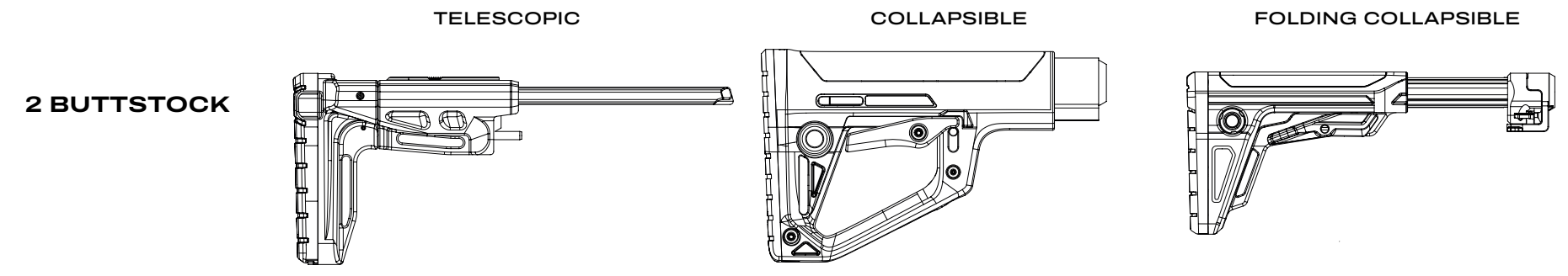
STEINER MK4 BATTLE LIGHT

STEINER E-OPTICS D-BAL A3 LASER / ILLUMINATOR IR

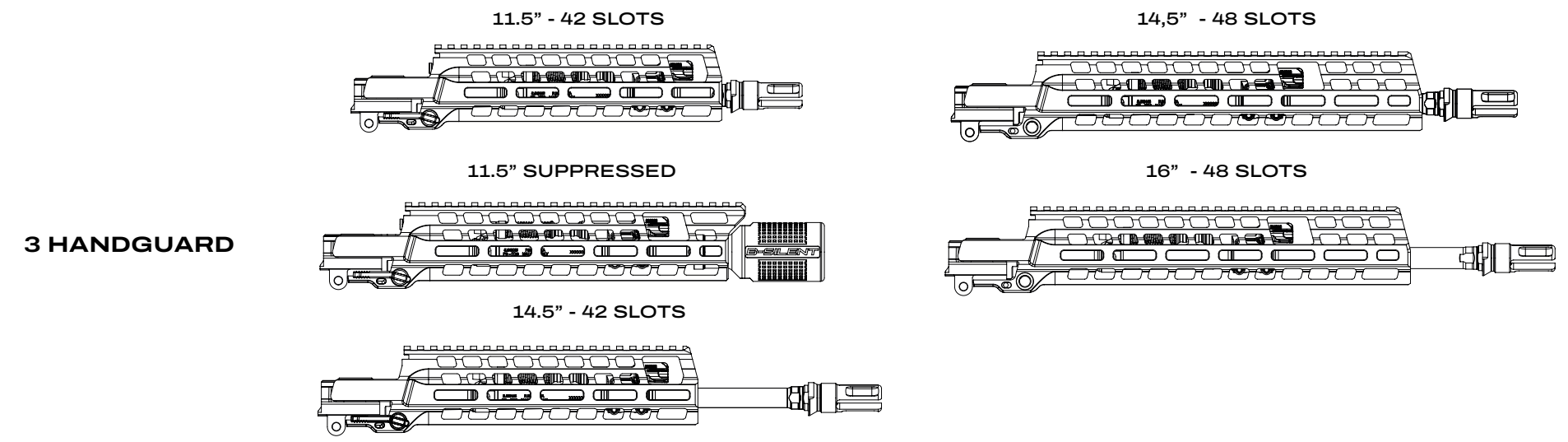
ECOSYSTEM



1 BARREL



2 BUTTSTOCK

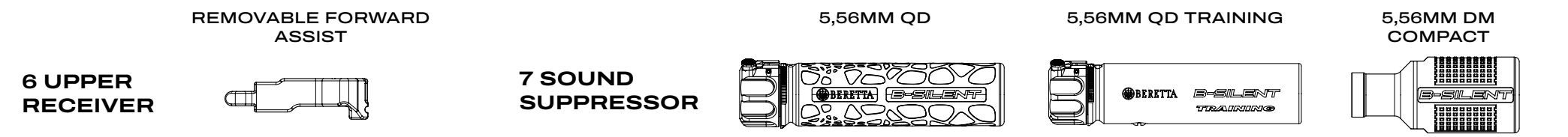


3 HANDGUARD



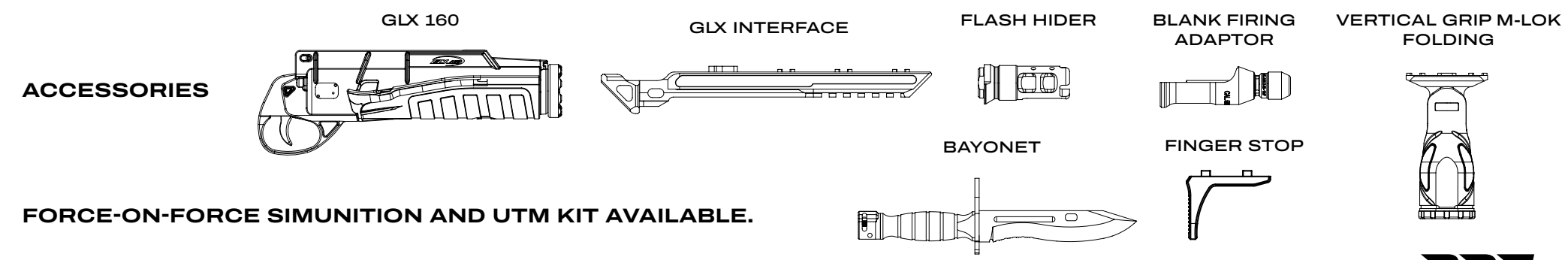
4 PISTOL GRIP

5 TRIGGER GROUP



6 UPPER RECEIVER

7 SOUND SUPPRESSOR



FORCE-ON-FORCE SIMUNITION AND UTM KIT AVAILABLE.

NARP

TECHNICAL SPECIFICATIONS

The latest chapter in Beretta's evolution. Developed in collaboration with elite Special Forces, our state-of-the-art solution delivers unparalleled reliability, ensuring that you can depend on **NARP** to perform consistently, even in the most challenging environments. Engineered with extreme precision and developed according to NATO standards, the NARP guarantees unrivaled accuracy and reliability, enabling modern professionals to execute critical missions with confidence and precision.



CALIBER	5.56x45 NATO
LOCKING SYSTEM	Multi-Lugs / Rotating Bolt
BARREL LENGTH	11.5" / 14.5" / 16"
FIRING MODE	Semiauto / Full Auto
LENGTH / COLLAPSED STOCK	819mm
LENGTH / EXTENDED STOCK	889mm
LENGTH / FOLDED STOCK	668mm
HEIGHT WITH MAGAZINE & FOLDED SIGHT	225mm
WEIGHT WITH EMPTY MAGAZINE	3,3kg
MAGAZINE CAPACITY	30
MAGAZINE MATERIAL	Polymer / Metal
COLOR	Black / Flat Dark Earth

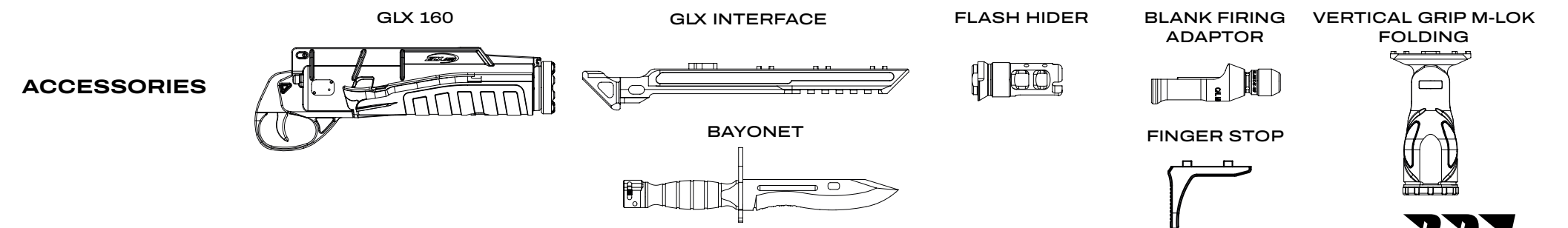
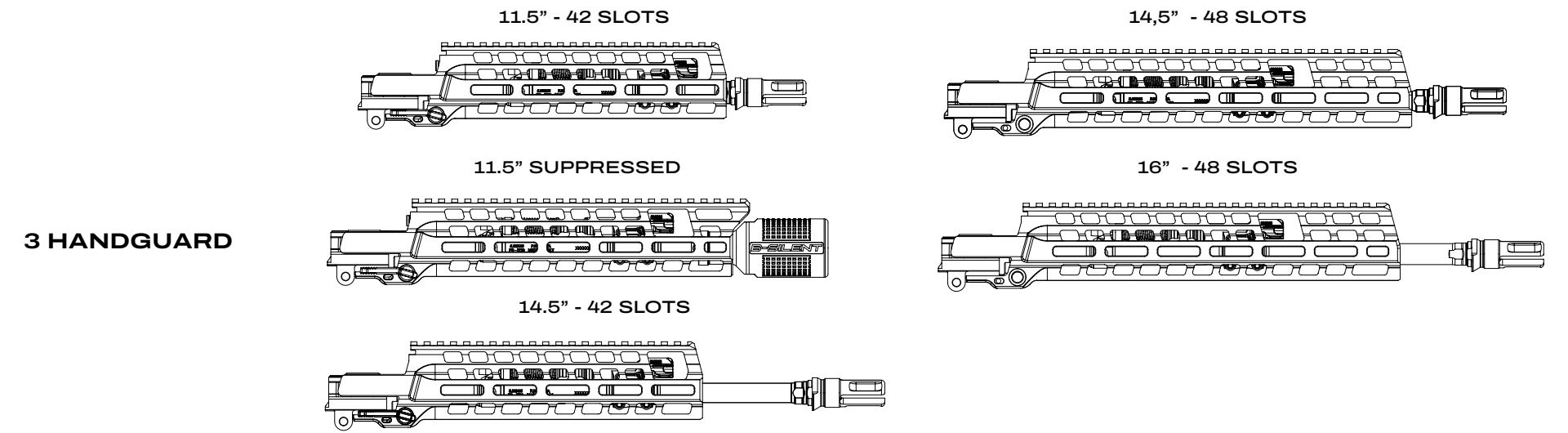
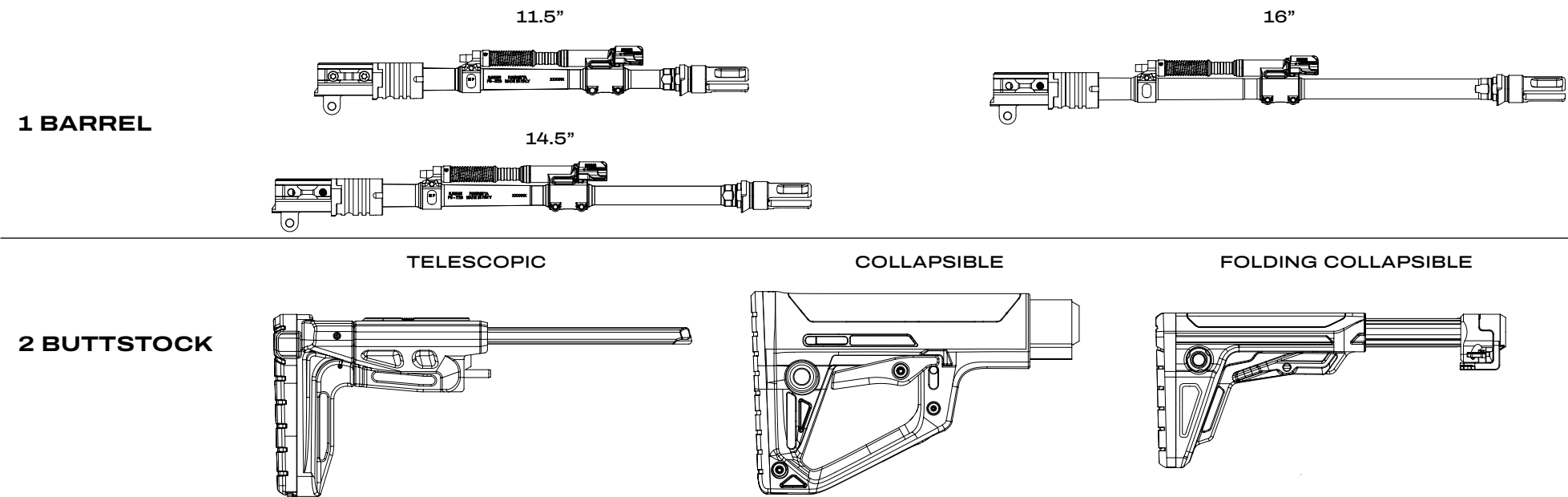


5.56x45 NATO
RWS
SWISS P
MFS
NORMA

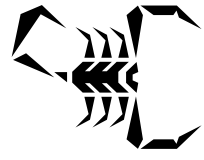




ECOSYSTEM



NARP



PRAETORIAN

TECHNICAL SPECIFICATIONS

The **NARP PRAETORIAN**, chambered in 6.5 Grendel, is a precision-engineered rifle designed to deliver tactical superiority. Built for consistent long-range accuracy, it combines advanced ballistics with a compact design and intuitive ergonomics to maximize shooter performance in dynamic combat environments. Designed for operational flexibility, it features a threaded barrel and an optimized gas system ensuring reliable performance during suppressed firing. Whether employed for designated marksman duties or precision support operations, the Praetorian offers unmatched adaptability, control and lethality.



CALIBER	6.5 Grendel
LOCKING SYSTEM	Multi-Lugs / Rotating Bolt
BARREL LENGTH	11.5" / 11.5" Suppressed / 14.5" / 16"
FIRING MODES	Semiauto / Full Auto
LENGTH / COLLAPSED STOCK	763mm
LENGTH / EXTENDED STOCK	846mm
LENGTH / FOLDED STOCK	626mm
HEIGHT WITH MAGAZINE & FOLDED SIGHT	238mm
WEIGHT WITH EMPTY MAGAZINE	3,1kg
MAGAZINE CAPACITY	25
MAGAZINE MATERIAL	Polymer / Metal
COLOR	Black / Flat Dark Earth



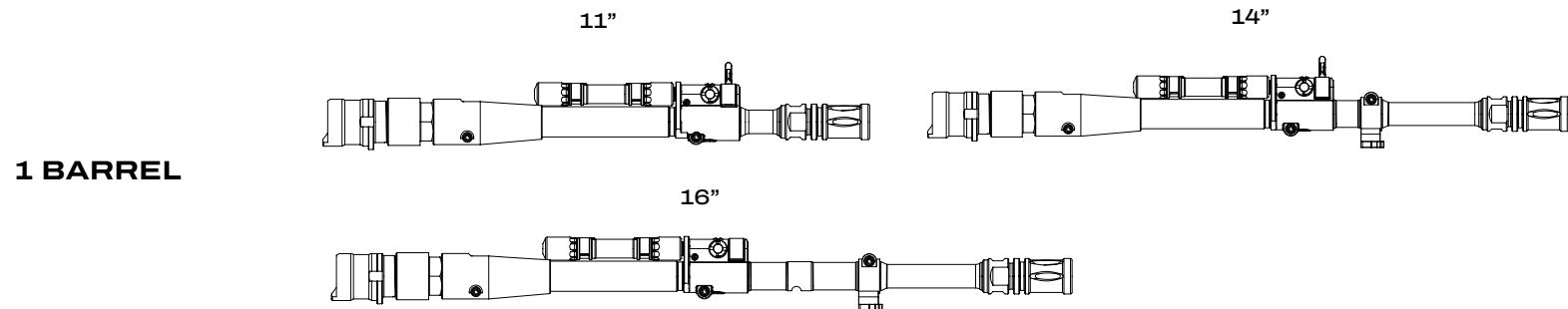
**6.5 GRENDDEL
SWISS P**



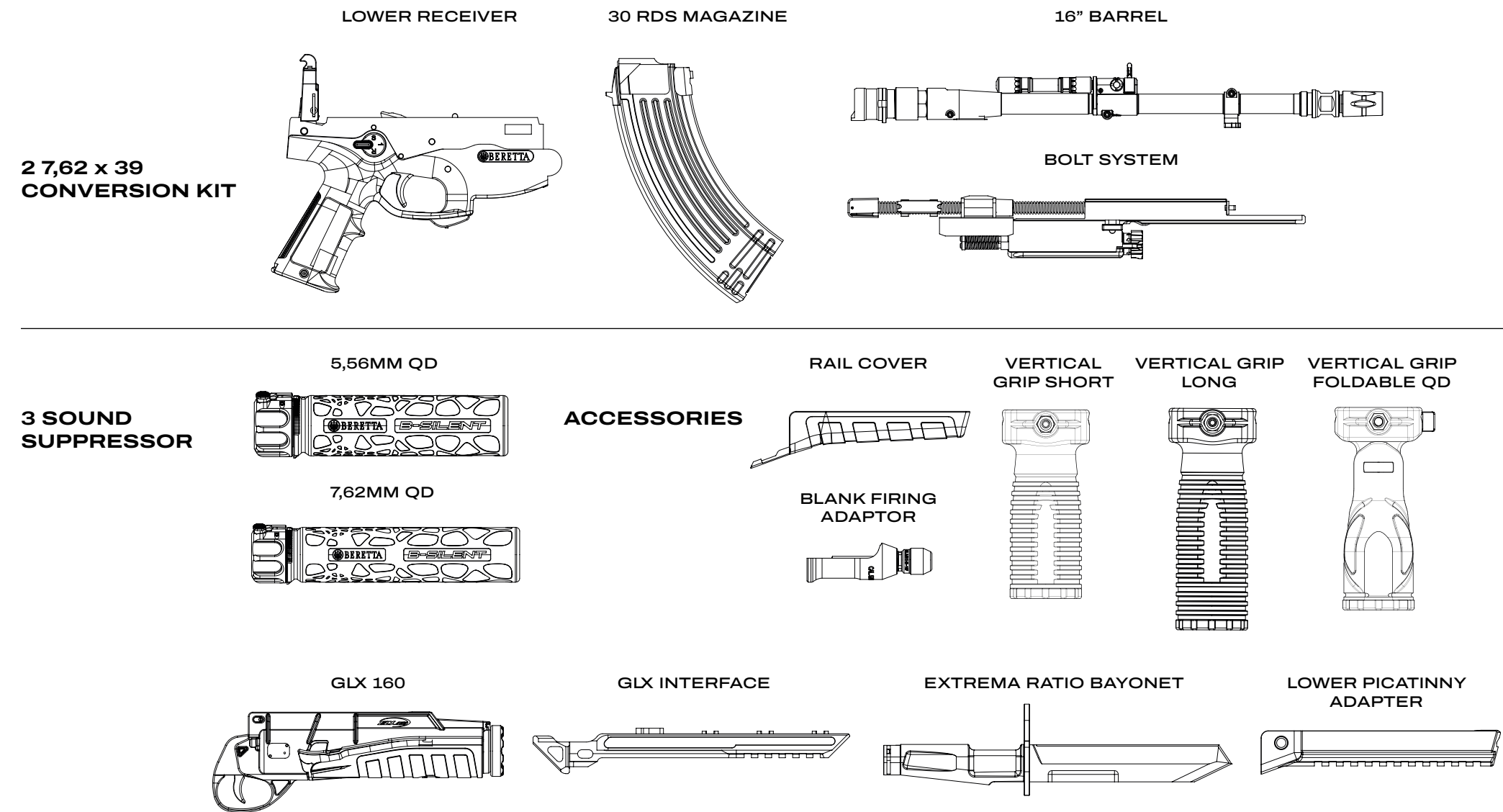
NRX160 A4



ECOSYSTEM



1 BARREL





FORCE-ON-FORCE SIMUNITION AND UTM KIT AVAILABLE.



TECHNICAL SPECIFICATIONS

The ARX160 A4 assault rifle improves field efficiency through innovative engineering geared specifically toward the soldier. The ARX160 modular platform features fully ambidextrous controls and a pin-free design.



CALIBER	5.56x45 NATO	7.62x39	 	5.56x45 NATO RWS SWISS P MFS NORMA 7.62x39 MFS
LOCKING SYSTEM	Multi-Lugs / Rotating Bolt	Multi-Lugs / Rotating Bolt		
BARREL LENGTH	11" / 14" / 16"	16"		
FIRING MODE	Semiauto / Full Auto	Semiauto / Full Auto		
LENGTH / COLLAPSED STOCK	790mm	840mm		
LENGTH / EXTENDED STOCK	850mm	900mm		
LENGTH / FOLDED STOCK	630mm	680mm		
HEIGHT WITH MAGAZINE & FOLDED SIGHT	280mm	296mm		
WEIGHT WITH EMPTY MAGAZINE	3,5kg	3,5kg		
MAGAZINE CAPACITY	30	30		
MAGAZINE MATERIAL	Polymer / Metal	Metal		
COLOR	Black / Flat Dark Earth	Black / Flat Dark Earth		



ARX200 A1

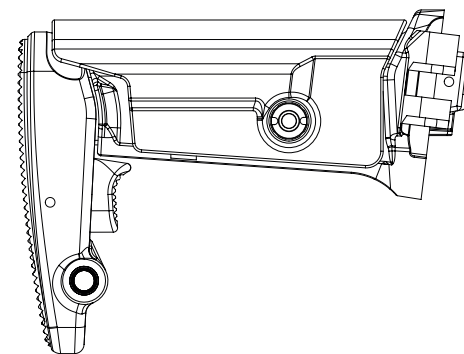


STEINER M7Xi SCOPE

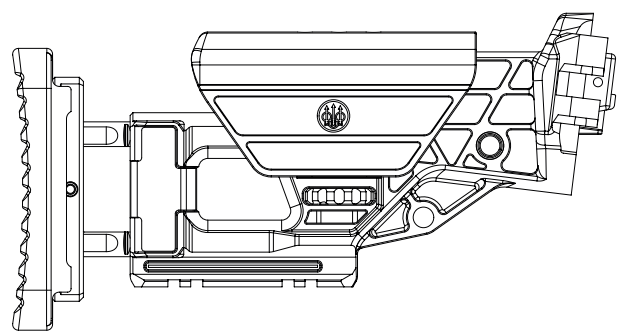
ECOSYSTEM

FOLDING COLLAPSIBLE

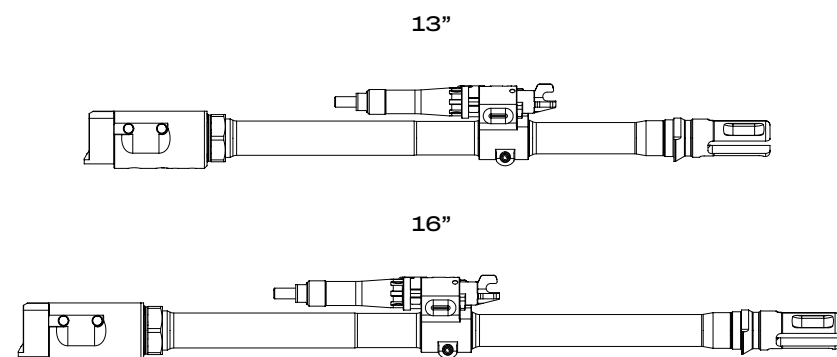
1 BUTTSTOCK



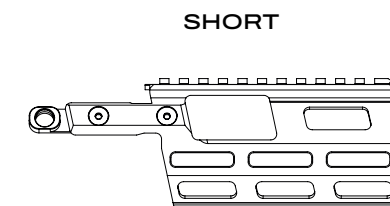
FOLDING ADJUSTABLE



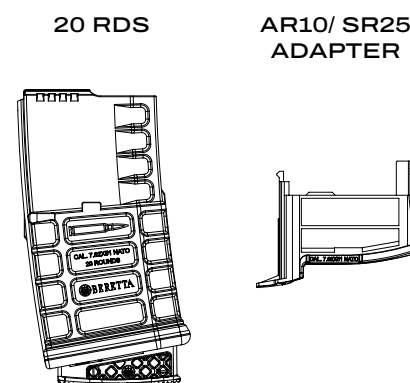
2 BARREL



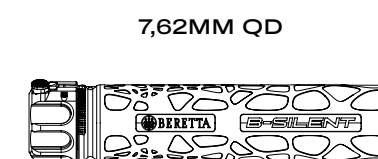
3 HANDGUARD



4 MAGAZINE

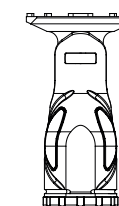


5 SOUND SUPPRESSOR

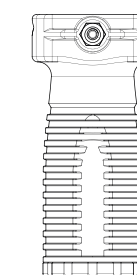


ACCESSORIES

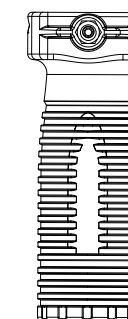
VERTICAL GRIP M-LOK FOLDING



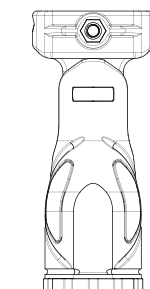
VERTICAL GRIP SHORT



VERTICAL GRIP LONG



VERTICAL GRIP FOLDABLE QD



PICATINNY SLIDE



ARX200 A1

TECHNICAL SPECIFICATIONS

The ARX200 A1 is a next-generation modular assault rifle designed for maximum versatility and high performance. It features fully ambidextrous controls, along with a telescopic and foldable stock.

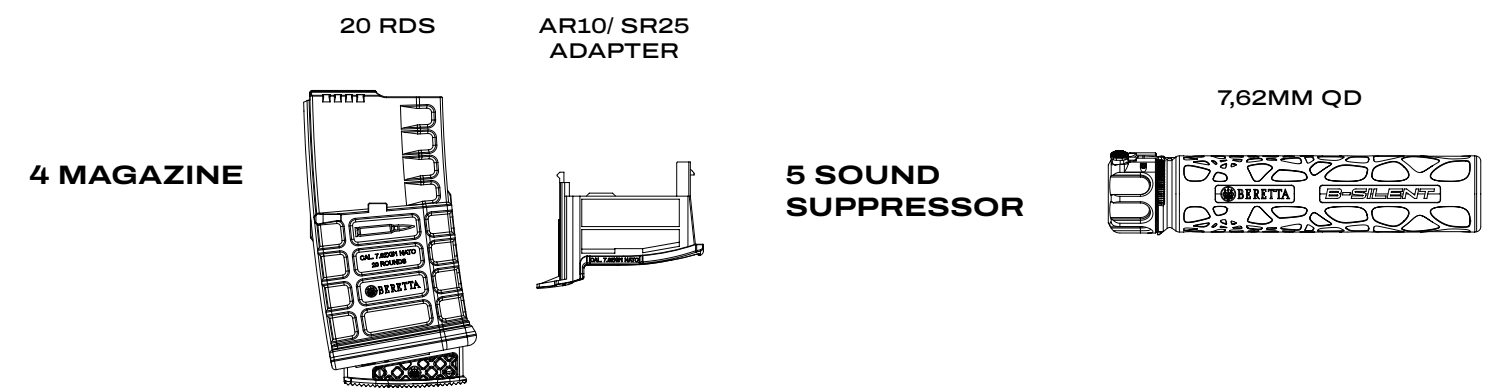
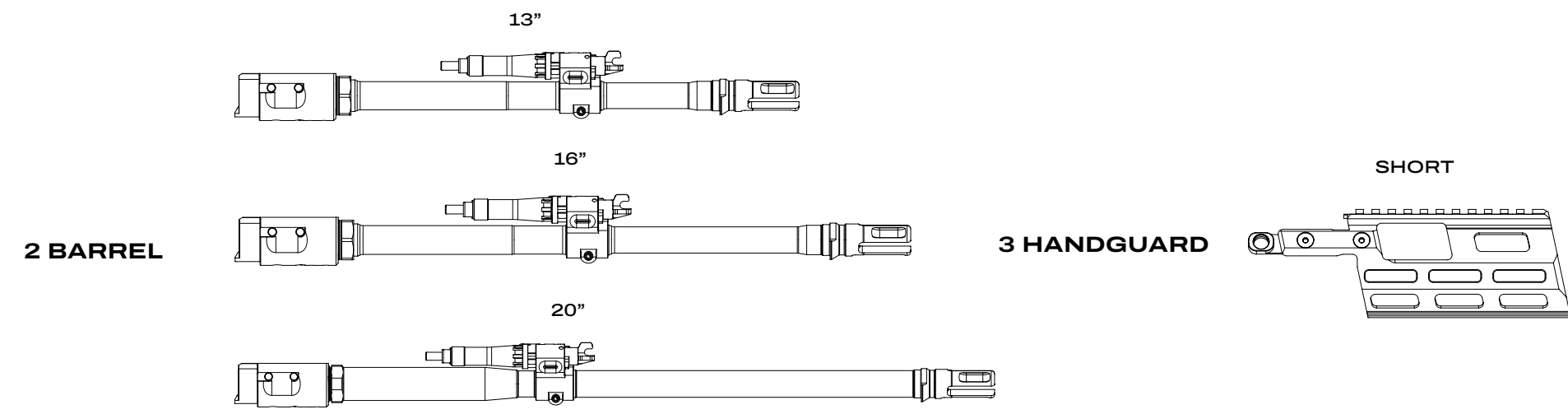
The rifle's design has been further refined to enhance accuracy, reliability, and ergonomics. Available with 13" and 16" barrels, the ARX200 A1 can be configured for a wide range of operational scenarios, from close-quarters to long-range engagements.



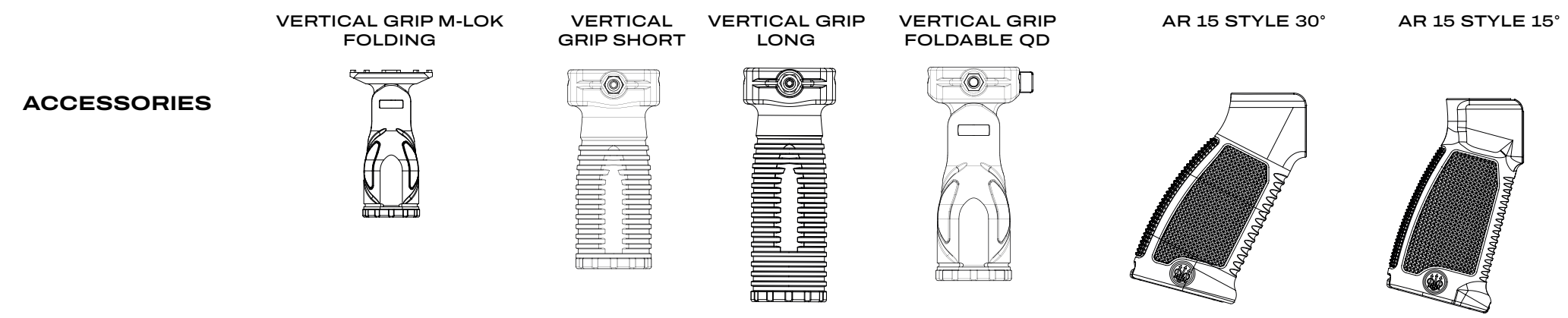
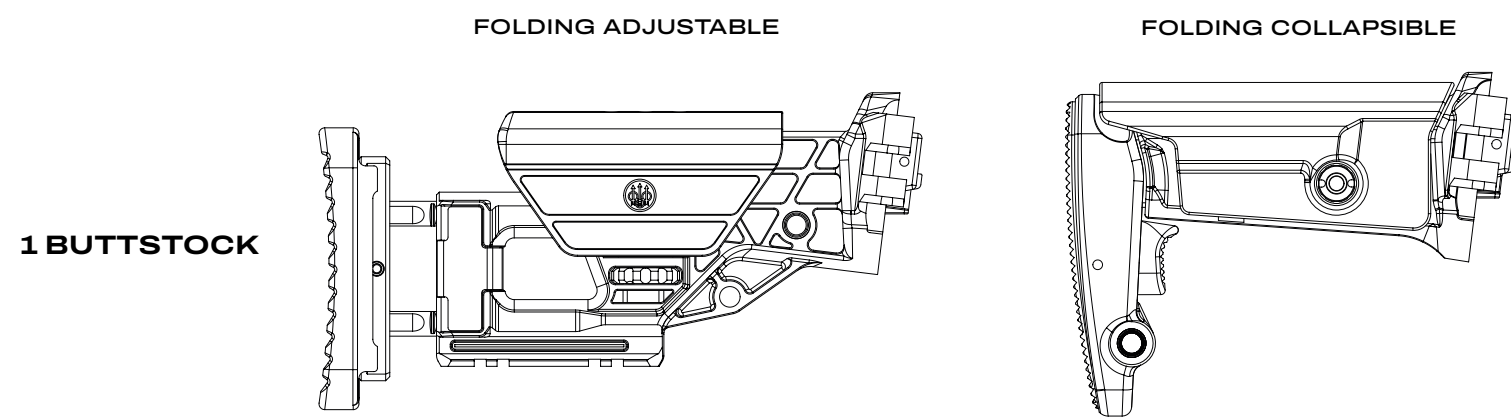
CALIBER	7.62x51 NATO		7.62x51 NATO
LOCKING SYSTEM	Multi-Lugs / Rotating Bolt		
BARREL LENGTH	13" / 16"		SWISS P
FIRING MODE	Semiauto / Full Auto		MFS
LENGTH / COLLAPSED STOCK	880mm		NORMA
LENGTH / EXTENDED STOCK	950mm		
LENGTH / FOLDED STOCK	720mm		
HEIGHT WITH MAGAZINE & FOLDED SIGHT	235mm		
WEIGHT WITH EMPTY MAGAZINE	4,3kg		
MAGAZINE CAPACITY	20		
MAGAZINE MATERIAL	Polymer / Metal		
COLOR	Black		



ARX200 A1 DMR



ECOSYSTEM



ARX200 A1 DMR

TECHNICAL SPECIFICATIONS

The ARX200 A1 DMR (Designated Marksman Rifle) is the semi-automatic, high-precision variant of the ARX200 combat rifle, chambered in 7.62x51mm NATO. Available with 13", 16", or 20" barrels, this model is engineered to deliver superior accuracy and enhanced terminal ballistics. Equipped with a two-stage, semi-automatic trigger group and a 20-round magazine, the ARX200 DMR offers a higher rate of fire than traditional bolt-action rifles, enabling rapid and precise engagement of multiple targets. Designed and manufactured to excel at extended ranges beyond those of standard assault rifles, the ARX200 DMR is the ideal choice for professionals seeking reliability, precision, and power in a single platform.



CALIBER	7.62x51 NATO
LOCKING SYSTEM	Multi-Lugs / Rotating Bolt
BARREL LENGTH	13" / 16" / 20"
FIRING MODE	Semiauto
LENGTH / COLLAPSED STOCK	940mm
LENGTH / EXTENDED STOCK	1000mm
LENGTH / FOLDED STOCK	720mm
HEIGHT WITH MAGAZINE & FOLDED SIGHT	215mm
WEIGHT WITH EMPTY MAGAZINE	4,5kg
MAGAZINE CAPACITY	20
MAGAZINE MATERIAL	Polymer / Metal
COLOR	Black



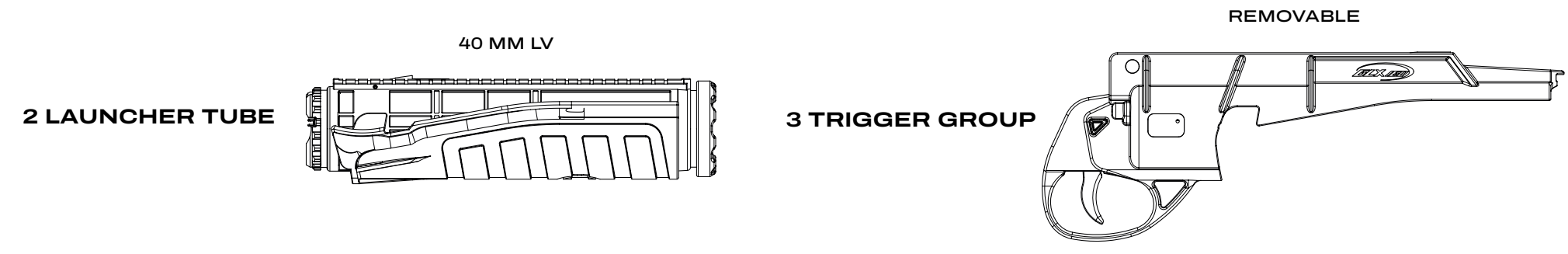
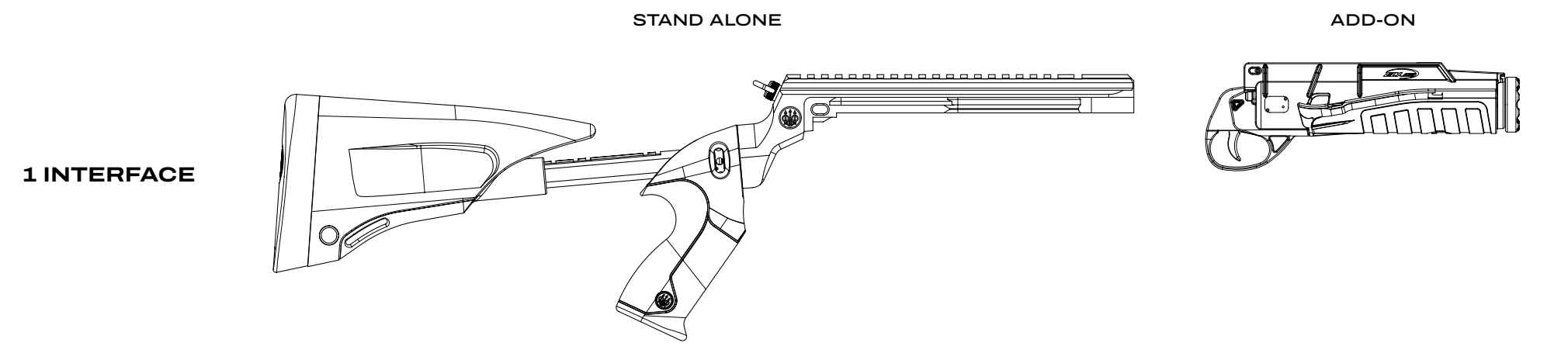
7.62x51 NATO
RWS
SWISS P
MFS
NORMA



GRENADE LAUNCHERS



GLX160 A3



ECOSYSTEM

ADD-ON ARX160 A4



ADD-ON NARP



GLX160 A3

TECHNICAL SPECIFICATIONS

The GLX160 A3 is a manually operated, single-shot grenade launcher chambered for low-velocity 40x46 mm ammunition. The GLX160 is specifically designed to integrate seamlessly with the NARP and ARX160 rifle platforms. Thanks to its quick-mount attachment system, it can also be easily installed on any rifle equipped with a compatible interface. Alternatively, GLX 160 mounted on a stand-alone, five-position telescopic stock that can be adjusted to fit the shooter's requirements and measures. The GLX 160 uses a slide forward configuration, making it fully ambidextrous.



CALIBER	40x46 LV
LOCKING SYSTEM	Locked breech / Rotating bolt
BARREL LENGTH	11"
LENGTH / COLLAPSED STOCK	582mm
LENGTH / EXTENDED STOCK	703mm
HEIGHT WITH MAGAZINE & FOLDED SIGHT	114mm
WEIGHT WITH EMPTY MAGAZINE	1kg
COLOR	Black / Flat Dark Earth



SHOTGUNS



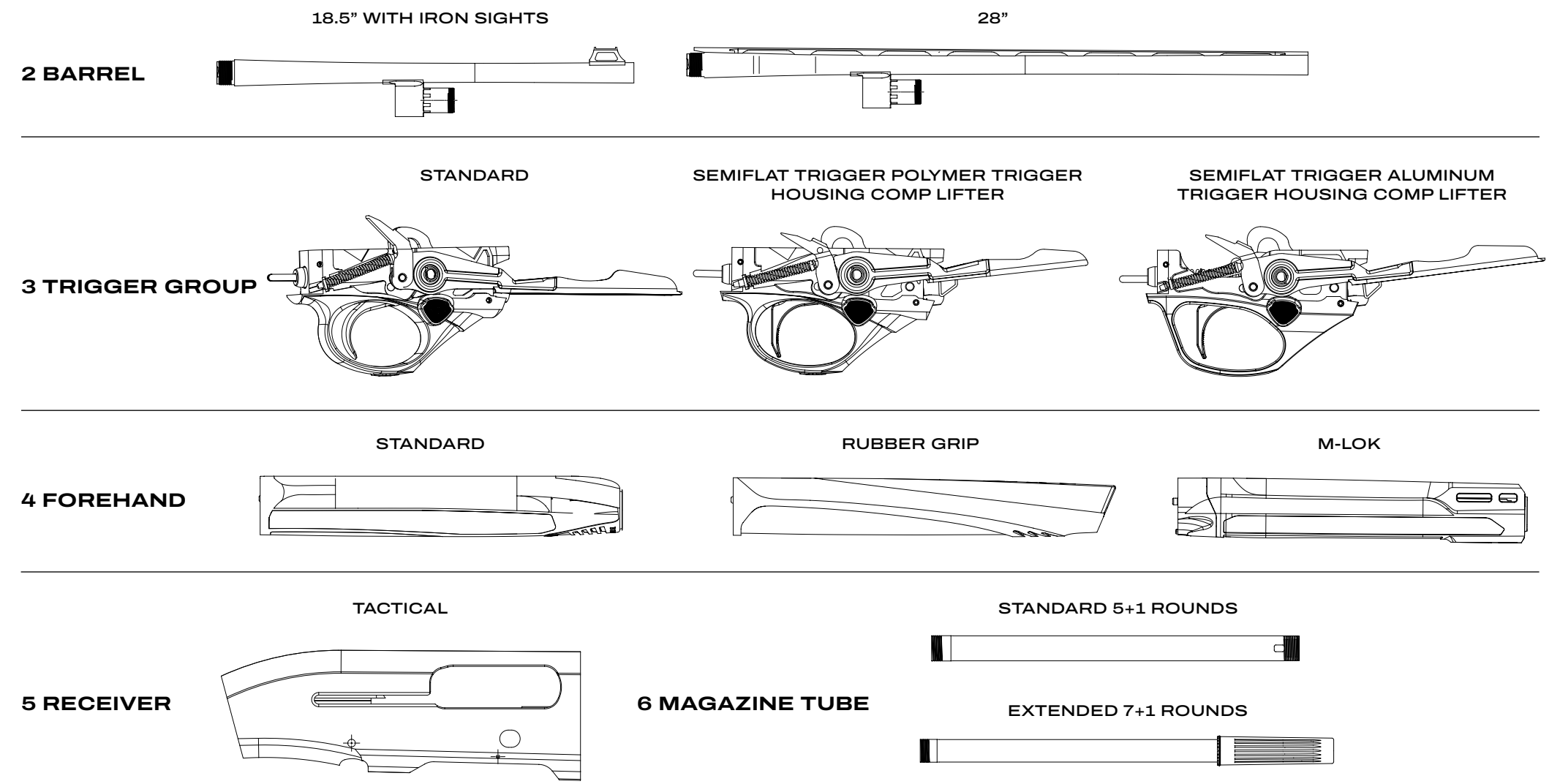
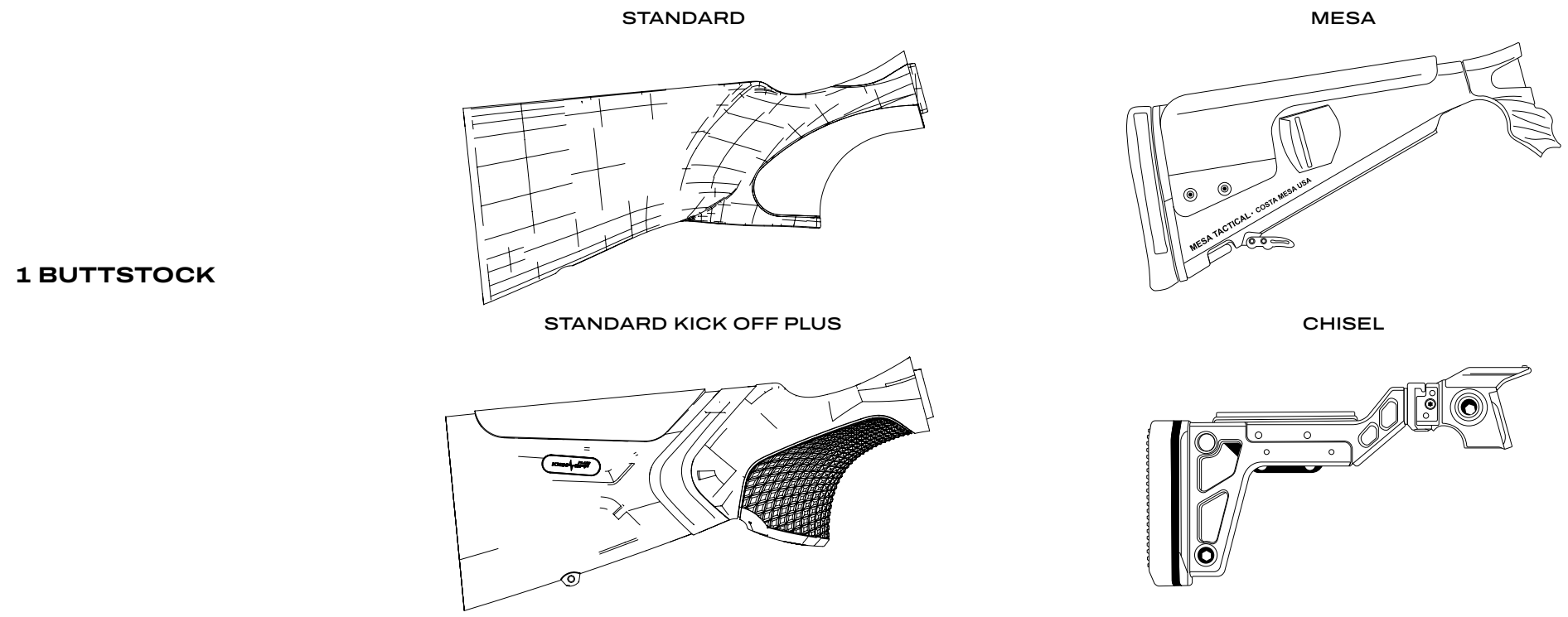
SHOTGUNS

BERETTA

1301 TACTICAL



ECOSYSTEM



1301 TACTICAL

TECHNICAL SPECIFICATIONS

The 1301 TACTICAL is designed for professionals who demand absolute reliability and high performance. It combines cutting-edge features with uncompromising functionality. The oversized charging handle, large textured bolt-release, and reversible safety button ensure fast, intuitive operation in all conditions. The aggressively checkered fore-end and stock provide a firm, secure grip—even when wearing gloves.

Equipped with a rugged, protected ghost-ring sight system, the 1301 Tactical offers rapid target acquisition when it matters most. Its interchangeable choke system provides exceptional versatility, allowing the shotgun to adapt seamlessly to a wide range of operational needs and shooting styles.



CALIBER	12 ga
STOCK - LOP	Tactical stock / 13" (extendable w/spacers) / Pistol grip
BARREL LENGTH	18.5" / 28"
OPERATING PRINCIPLE	B-link gas system
CHOKE	Interchangeable / OCHP / Fixed cylinder
FOREND	Patrol M-lok forend
RECEIVER MATERIAL	Aluminum
ACCESSORY RAIL	Picatinny
TRIGGER GROUP	Polymer / Oversized reversible safety / Comp lifter
EJECTION SIDE	Right
MAGAZINE CAPACITY	5+1 / 7+1
LENGTH	96cm - 37.8"
WEIGHT	2.9 / 3.2 kg - 6.4 / 7.1 lbs
SIGHTS SYSTEM	Ghost ring
COLOR	Black



12 ga
RWS

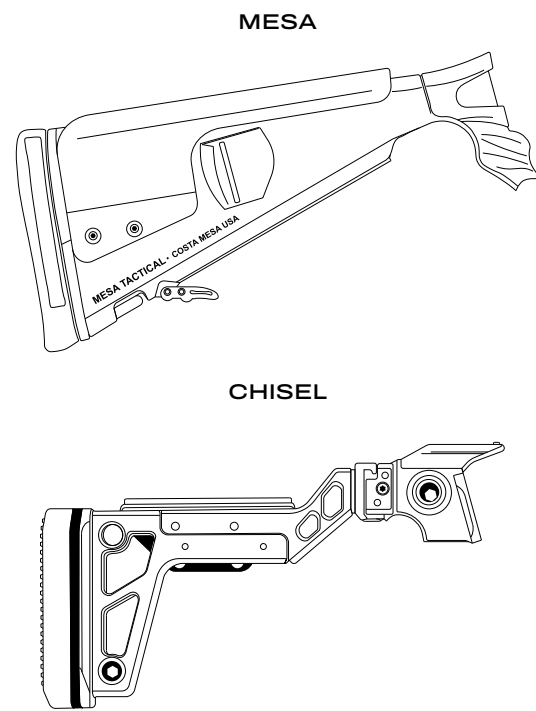
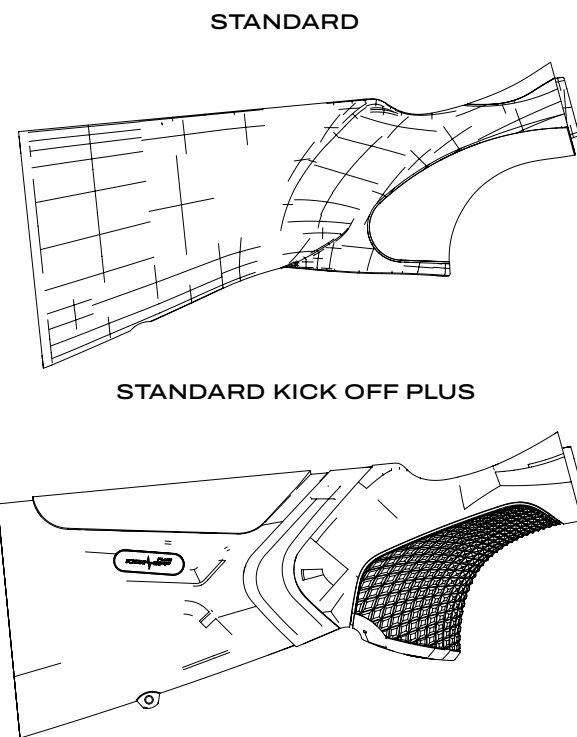


1301 C-UAS

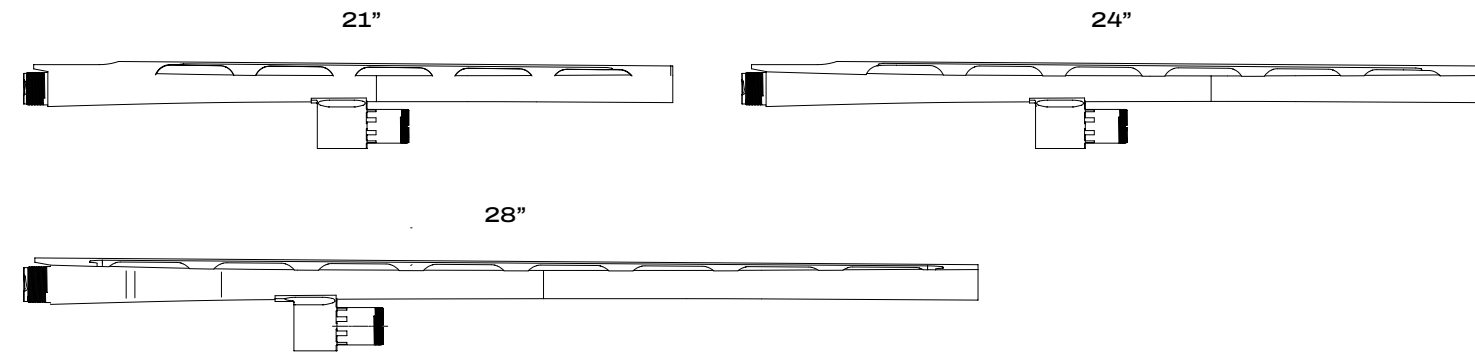


ECOSYSTEM

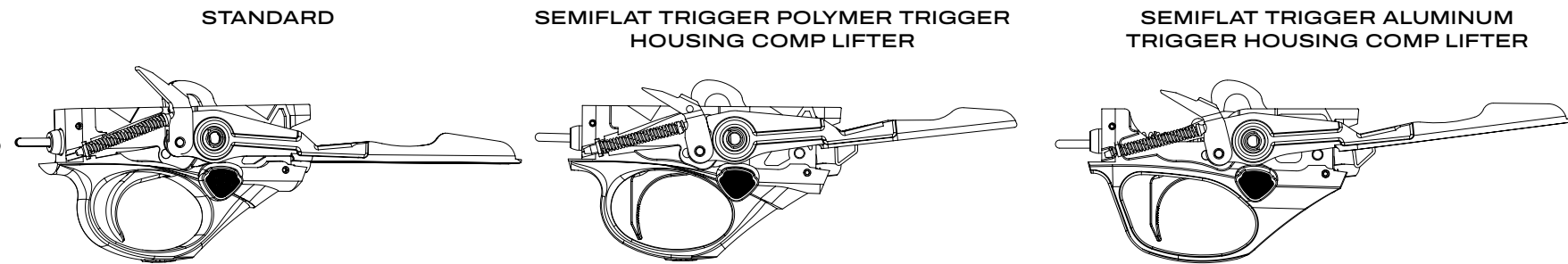
1 BUTTSTOCK



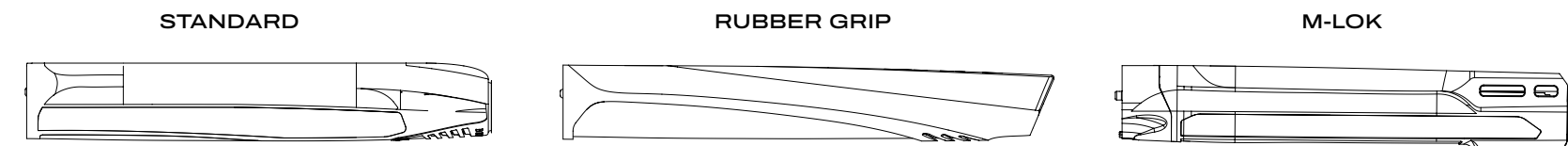
2 BARREL



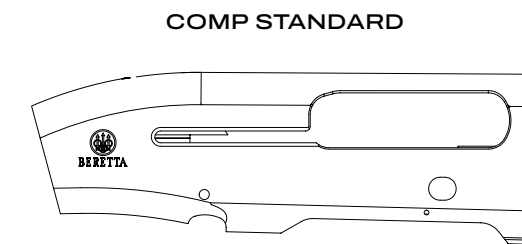
3 TRIGGER GROUP



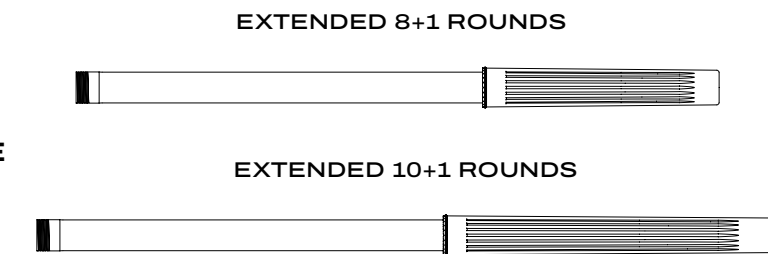
4 FOREHAND



5 RECEIVER



6 MAGAZINE TUBE



1301 C-UAS

TECHNICAL SPECIFICATIONS

The 1301 platform has established itself as one of the best combat shotguns on the market. It features an oversized charging handle, a large textured bolt-release, an oversized reversible safety button, and an innovative competition lifter—elements that make all controls intuitive and easy to operate in professional scenarios. The M-lok compatible forend features an aggressive checkering present as well on the stock making it easy to gain a secure grip even while wearing gloves and in high stress situations. An interchangeable choke system allows for maximum flexibility based on use and needs. The **1301 COMP C-UAS** is intended to be a further solution. Retaining all the core technical specifications of the 1301 Tactical in terms of ergonomics and reliability, it introduces an aluminum trigger pack to improve balance and robustness. The barrel is longer and equipped with a tapered rib specifically designed to engage flying targets at extended distances. A picatinny is also offered to mount optics.



CALIBER	12 ga
STOCK - LOP	Tactical stock / 13" (extendable w/spacers)
BARREL LENGTH	21" / 24" / 28"
OPERATING PRINCIPLE	B-link gas system
FOREND	Patrol M-lok forend
SIGHTS SYSTEM	Ramped 10mmx8mm tapered rib
CHOKE	Interchangeable / OCHP
ACCESSORY RAIL	Picatinny
TRIGGER GROUP	Aluminum / Oversized reversible safety / Comp lifter
EJECTION SIDE	Right
MAGAZINE CAPACITY	8+1 / 10+1
LENGTH	105 / 112 cm
WEIGHT	3.3 / 3.4 kg
RECEIVER MATERIAL	Aluminum
COLOR	Black



12 ga
NORMA
RWS



SOUND SUPPRESSORS



B-SILENT 9mm



PISTOL 9MM

CALIBER 9x19
BARREL ATTACHMENT Thread M13,5x1 LH; 1/2-28 UNEF; M14x1; M14x0,75 LH
LENGTH 190,2mm (+1,7/-1,9mm)
DIAMETER Ø35 +0,5mm (Ø36,2 +0,5 on aesthetic ribs)
WEIGHT 310g
BAFFLES 2 Steel Blast Baffles + 3 Aluminum Baffles

NOISE REDUCTION APX Full Size
 Measured at 1m right to the muzzle
 Indoor Shooting Range

Fiocchi NATO FMJ
 115gr ~ 25dBA
 Fiocchi Subsonic
 FMJ 158gr ~ 25dBA
 RUAG Subsonic
 FMJ 154gr ~ 27dBA

FLASH No visible flash after 2nd round

ACCURACY APX Full Size
 Speer Gold Dot JHP +P 124gr
 Target at 25m

SHIFT POI Average of five 10rds target

COOLING CYCLE 102rds MAX (six 17rds magazine)

ENDURANCE > 5.000rds

MAINTENANCE Every 500rds piston cleaning and lubrication

TECHNOLOGY Baffle

TEMPERATURE RANGE - 19°C / + 52°C

COLOR Matte Black

SUBMACHINE GUN 9MM

CALIBER 9x19
BARREL ATTACHMENT Tri Lug
LENGTH 188mm (mounted 155mm)
DIAMETER Ø35 +0,5mm (Ø36,2 +0,5 on aesthetic ribs)
WEIGHT 380g
BAFFLES 5 Steel Baffles

NOISE REDUCTION PMX
 Measured at 1m right to the muzzle
 Indoor Shooting Range

Fiocchi NATO FMJ
 115gr ~ 23dBA
 Fiocchi Subsonic
 FMJ 158gr ~ 26dBA
 RUAG Subsonic FMJ
 154gr ~ 26dBA

FLASH No visible flash after 2nd round

ACCURACY PMX
 Fiocchi NATO FMJ 115gr
 Target at 50m

SHIFT POI Average of three 10rds target

COOLING CYCLE 120rds MAX (four 30rds magazine)

ENDURANCE > 10.000rds

MAINTENANCE -

TECHNOLOGY Baffle

TEMPERATURE RANGE - 54°C / + 52°C

COLOR Matte Black

B-SILENT 5,56mm / 7,62mm



ASSAULT RIFLE 5,56MM

CALIBER 5,56x45 / .223 REM
BARREL ATTACHMENT QD Fast detachment with ½"-28 dedicated Flash Hider
LENGTH 159mm (mounted 99,5mm)
DIAMETER Ø38mm
WEIGHT 450g
MATERIAL 3D printed monocoore body Inconel 718

NOISE REDUCTION NARP 14,5"
 Fiocchi NATO SS109
 Measured at 1m right to the muzzle
 Indoor Shooting Range ~23,5 dBA

FLASH No visible flash after 2nd round

ACCURACY NARP 14,5"
 Fiocchi NATO SS109
 Target at 100m

SHIFT POI 10rds target 2 MoA

COOLING CYCLE 150rds MAX (five 30rds magazine)

ENDURANCE > 6.000rds depending on the firing cycle (for example less than 90rds at 1rds/s)

MAINTENANCE At user level, after each shooting session or each time it is removed from the weapon
 At armorer every 1.500-2.000rds, or when the weight increase of 25-30g, or whenever possible, about once a year

TECHNOLOGY Baffle / 3D Printed

TEMPERATURE RANGE - 54°C / + 52°C

COLOR Matte Black / FDE Cerakote finish

ASSAULT RIFLE 7,62MM

CALIBER 7,62x51 / 7,62x39 / 308 WIN
BARREL ATTACHMENT QD Fast detachment with M15x1 dedicated Flash Hider
LENGTH 185,5mm (mounted 126mm)
DIAMETER Ø38mm
WEIGHT 500g
MATERIAL 3D printed monocoore body Inconel 718

NOISE REDUCTION ARX200 DMR 20"
 Swiss P Target 175gr
 Measured at 1m right to the muzzle
 Indoor Shooting Range ~22 dBA

FLASH No visible flash after 2nd round

ACCURACY ARX200 DMR 20"
 Swiss P Target 175gr
 Target at 100m

SHIFT POI 10rds target 1 MoA

COOLING CYCLE 140rds MAX (seven 20rds magazine)

ENDURANCE > 6.000rds depending on the firing cycle (for example less than 90rds at 1rds/s)

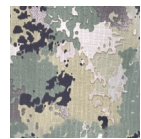
MAINTENANCE At user level, after each shooting session or each time it is removed from the weapon.
 At armorer every 1.500-2.000rds, or when the weight increase of 25-30g, or whenever possible, about once a year

TECHNOLOGY Baffle / 3D Printed

TEMPERATURE RANGE - 54°C / + 52°C

COLOR Matte Black / FDE Cerakote finish

CLOTHING & ACCESSORIES



MULTI TERRAIN CAMO



GREEN



MULTICAM



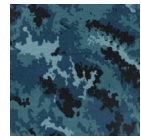
TAN



WOODLAND GREEN



BLACK



WOODLAND BLUE



BLUE



1 BASE LAYER



UNDERWEAR
M/W



SHORT SLEEVE
T-SHIRT
M/W



DRAWERS
M/W



LONG SLEEVE
T-SHIRT
M/W



LIGHT - HEAVY
SOCKS
UNISEX



2 COMBAT LAYER



BDU JACKET



BDU PANTS



COMBAT SHIRT



BDU ARMURED
VEHICLES



3 INSULATION LAYER



LIGHT COLD
WEATHER FLEECE



MID COLD WEATHER
JACKET



EXTREME COLD
WEATHER JACKET



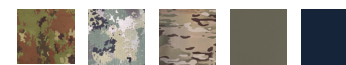
EXTREME COLD
WEATHER PANTS



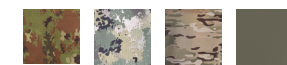
4 OUTER LAYER



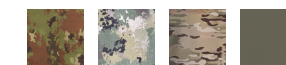
SOFTSHELL JACKET



HARDSHELL JACKET



HARDSHELL PANTS



BALACLAVA



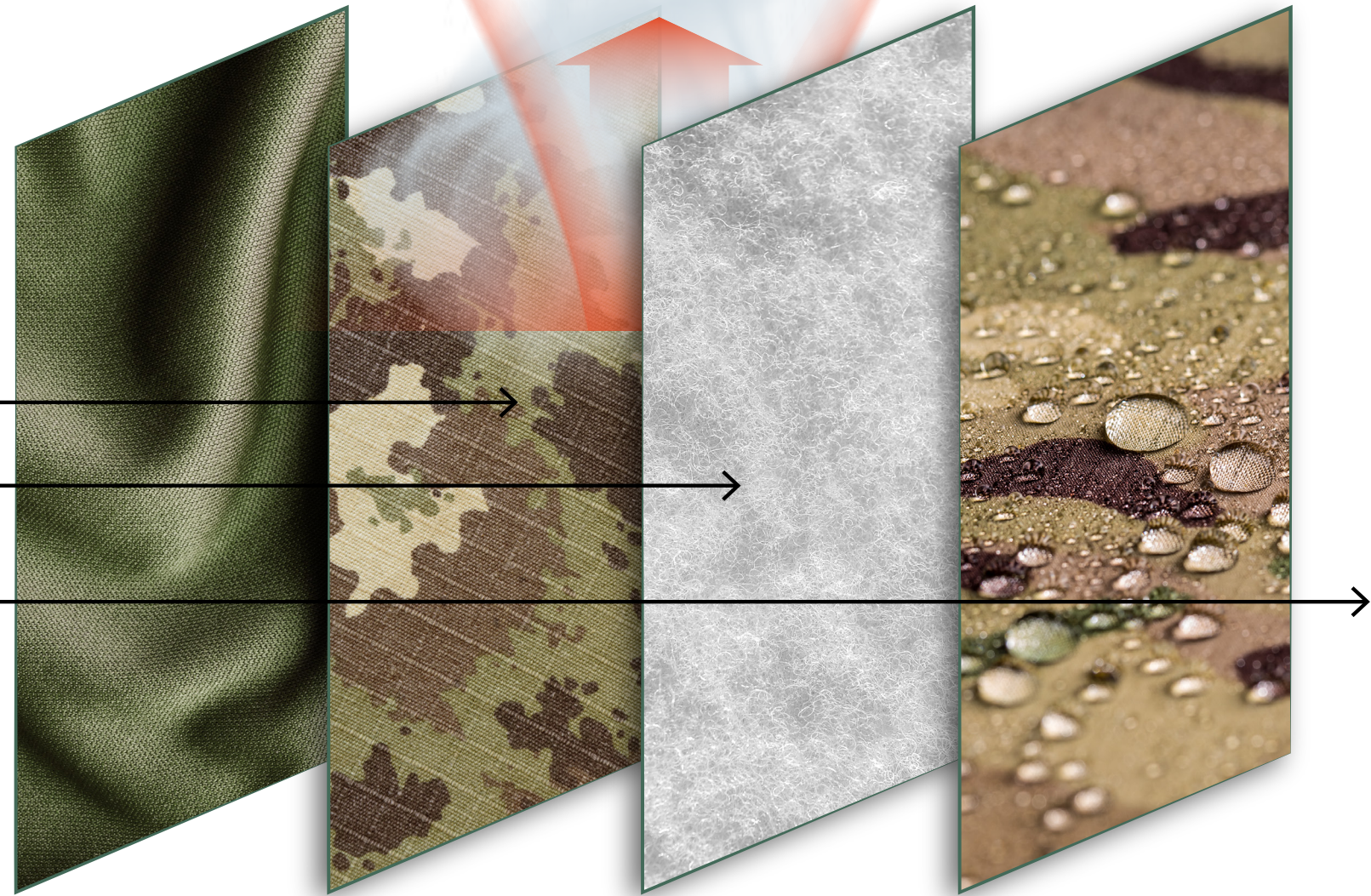
BEANIE



NECK WARMER



SWEAT
HEAT
WATER VAPOR



**BASE
LAYER**

**COMBAT
LAYER**

**INSULATION
LAYER**

**OUTER
LAYER**

MOISTURE

Beretta develops a modular and scalable military clothing system designed to enhance the operational effectiveness of the modern soldier across all mission profiles. By integrating advanced materials from leading manufacturers such as Gore®, Milliken®, and Primaloft®, the system delivers protection, comfort, and mobility in diverse and demanding environments.

Designed in Gardone Val Trompia and certified to the highest international quality and sustainability standards, the Beretta Military Clothing System is developed in close cooperation with end users and fully compliant with NATO requirements.

Beretta is part of the Sistema Soldato Sicuro consortium, supplying the Italian Army program with more than 1.5 million garments delivered, demonstrating proven industrial capacity, scalability, and reliability. In parallel, the company is actively engaged in G2G (government-to-government) contracts across Europe.





CONTACT US

FABBRICA D'ARMI PIETRO BERETTA

Via Pietro Beretta, 18
25063 Gardone Val Trompia (BS)
ITALY
berettadefense.com

BERETTA DEFENSE TECHNOLOGIES

Lechner Odon Fasor, 6
1095 Budapest
HUNGARY
berettadefensetechnologies.com

BDT

BERETTA DEFENSE TECHNOLOGIES



www.berettadefensetechnologies.com

 BERETTA

berettadefense.com